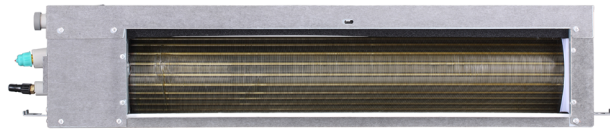


## PRODUCT SHEET

 ARC Duct  
S8

 KCT-04 SR  
Recommended control

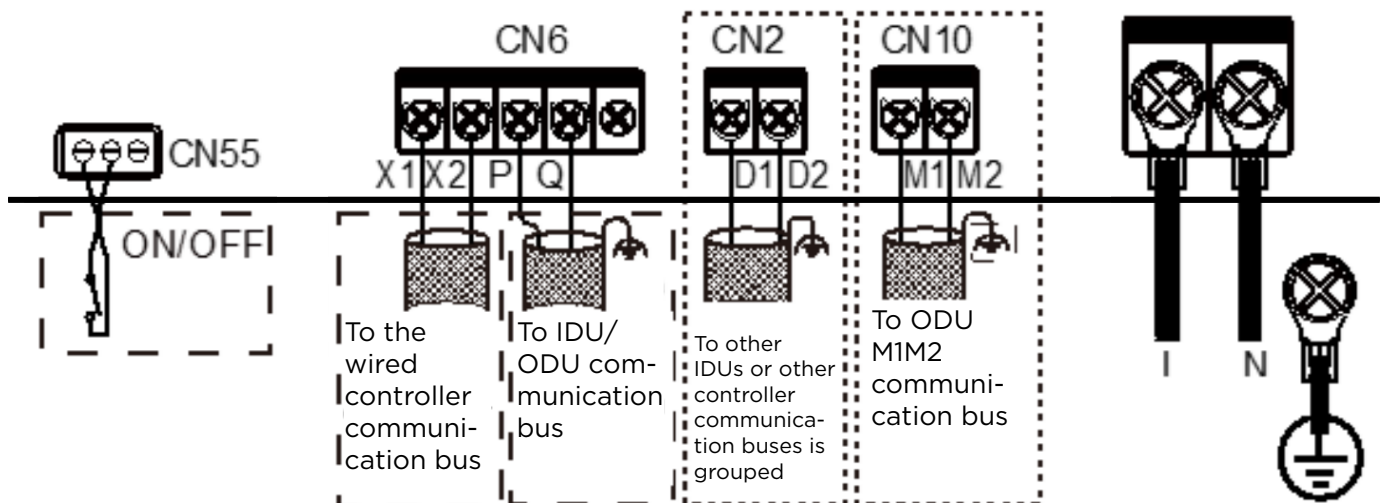
Product certified by:



## FEATURES

Model	KPDF-15 DN5.0	KPDF-22 DN5.0	KPDF-28 DN5.0
Nominal cooling capacity	1,50 kW	2,20 kW	2,80 kW
Nominal heating capacity	1,80 kW	2,50 kW	3,20 kW
Consumption	21 W	22 W	28 W
Power supply	220-240/1/50	220-240/1/50	220-240/1/50
MCA: Minimum circuit amperes	0,88 A	0,88 A	0,88 A
MFA: Max. fuse amperes	15 A	15 A	15 A
Air flow rate	290/298/307/320/329/335/340 m <sup>3</sup> /h	295/306/314/322/339/347/370 m <sup>3</sup> /h	300/323/351/380/413/431/460 m <sup>3</sup> /h
Max. static pressure	50 Pa	50 Pa	50 Pa
Sound pressure	22/23/24/25/26/26/27 dB(A)	22/24/25/26/27/28/28 dB(A)	22/25/26/28/29/30/30 dB(A)
Liquid pipe diameter	6,35 mm	6,35 mm	6,35 mm
Gas pipe diameter	12,7 mm	12,7 mm	12,7 mm

## CIRCUIT DIAGRAM

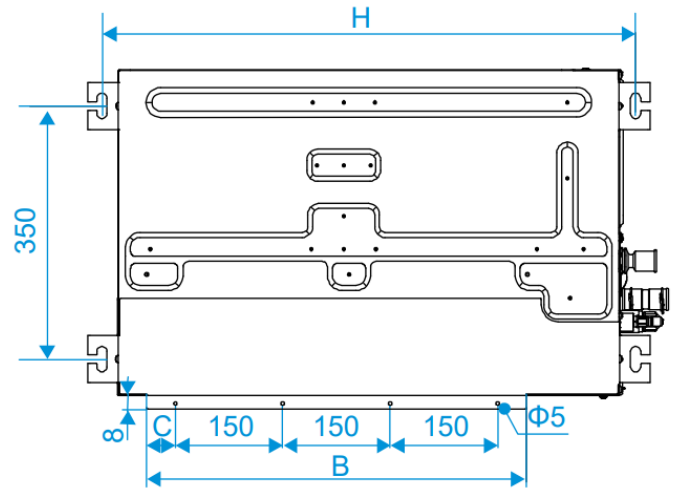
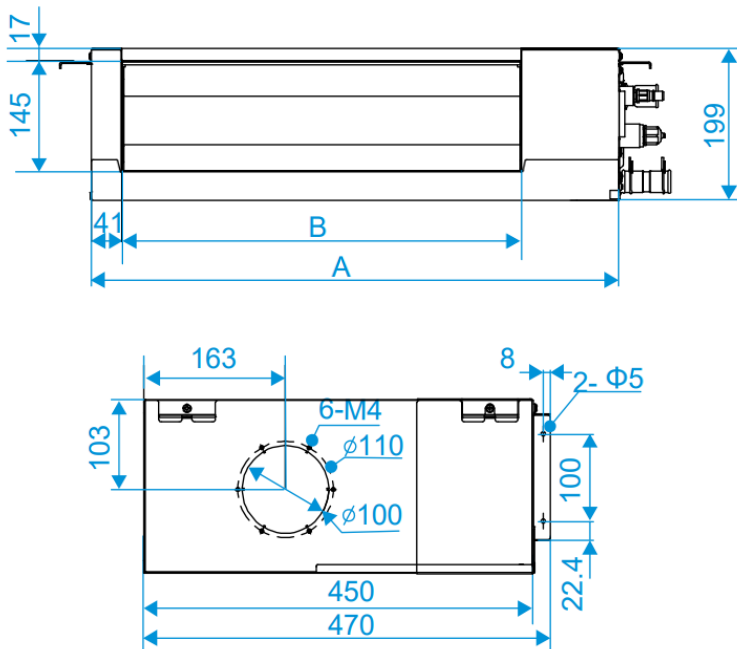


## NOTES:

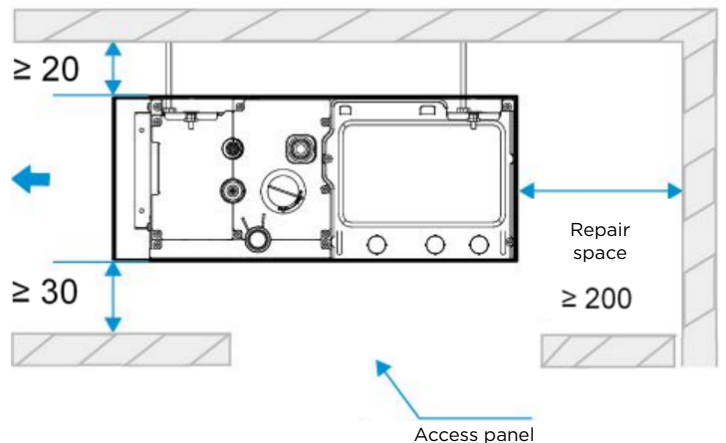
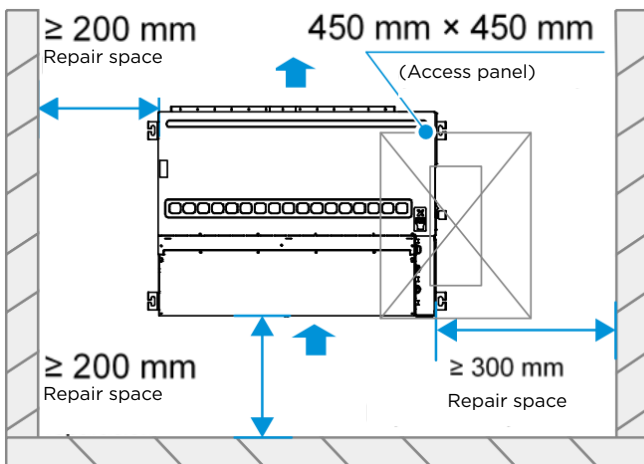
- (1) The data and specifications in this sheet are subject to change without notice.
- (2) The images in this sheet are for guidance only and may be different from the actual machine.
- (3) Cooling capacity conditions: Indoor temperature 27°C DB/19°C WB; Outdoor temperature 35°C DB; Equivalent refrigerant piping length 7.5 m with zero level difference; Data calculated with Duct type indoor unit. Heating capacity conditions: Indoor temperature 20°C DB; Outdoor temperature 7°C DB/6°C WB; Equivalent refrigerant piping length 7.5 m with zero level difference; Data calculated with Duct type indoor unit.
- (4) Sound pressure level is measured at a position 1 m in front of the unit and 1.3 m above the floor in a semi-anechoic chamber.

## DIMENSIONS & WEIGHT

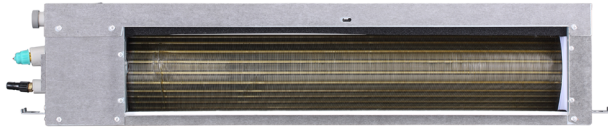
	KPDF-15 DN5.0	KPDF-22 DN5.0	KPDF-28 DN5.0
A	550 mm	550 mm	550 mm
B	380 mm	380 mm	380 mm
C	40 mm	40 mm	40 mm
H	595 mm	595 mm	595 mm
Inner unit weight	11,5 kg	11,5 kg	11,5 kg



## INSTALLATION



## PRODUCT SHEET

 ARC Duct  
S8

 KCT-04 SR  
Recommended control

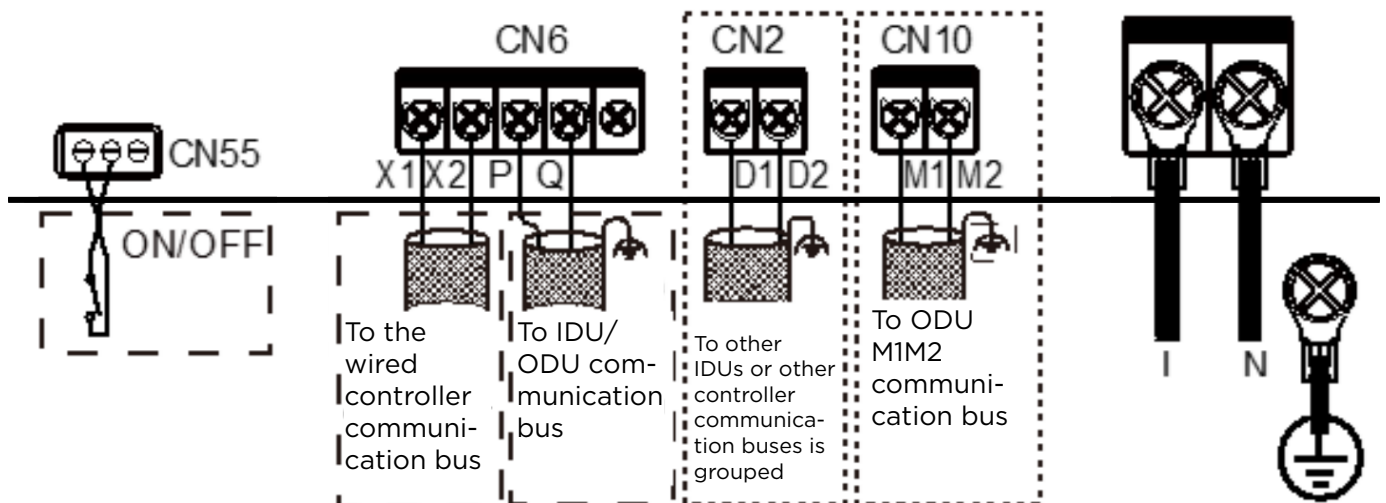
Product certified by:



## FEATURES

Model	KPDF-36 DN5.0	KPDF-45 DN5.0	KPDF-56 DN5.0	KPDF-71 DN5.0
Nominal cooling capacity	3,60 kW	4,50 kW	5,60 kW	7,10 kW
Nominal heating capacity	4,00 kW	5,00 kW	6,30 kW	8,00 kW
Consumption	31 W	43 W	58 W	65 W
Power supply	220-240/1/50	220-240/1/50	220-240/1/50	220-240/1/50
MCA: Minimum circuit amperes	0,94 A	1,1 A	1,1 A	1,2 A
MFA: Max. fuse amperes	15 A	15 A	15 A	15 A
Air flow rate	320/365/414/453/ 508/557/605 m <sup>3</sup> /h	435/506/557/629/ 701/770/800 m <sup>3</sup> /h	470/549/580/682/ 761/800/900 m <sup>3</sup> /h	580/671/763/860/ 957/1033/1145 m <sup>3</sup> /h
Max. static pressure	50 Pa	50 Pa	50 Pa	50 Pa
Sound pressure	25/26/27/28/ 29/30/30 dB(A)	26/28/29/31/ 32/33/33 dB(A)	27/29/31/33/ 34/35/36 dB(A)	29/30/31/33/ 34/35/37 dB(A)
Liquid pipe diameter	6,35 mm	6,35 mm	6,35 mm	9,52 mm
Gas pipe diameter	12,7 mm	12,7 mm	12,7 mm	15,9 mm

## CIRCUIT DIAGRAM

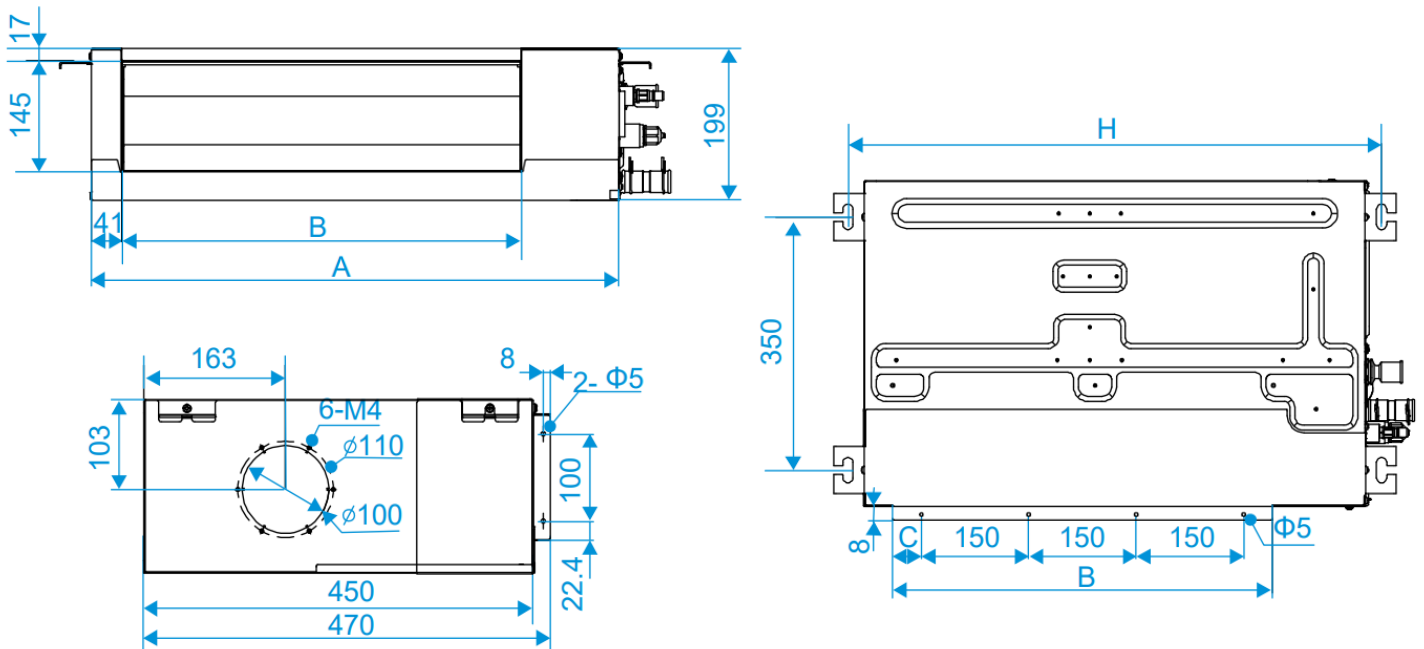


## NOTES:

- (1) The data and specifications in this sheet are subject to change without notice.
- (2) The images in this sheet are for guidance only and may be different from the actual machine.
- (3) Cooling capacity conditions: Indoor temperature 27°C DB/19°C WB; Outdoor temperature 35°C DB; Equivalent refrigerant piping length 7.5 m with zero level difference; Data calculated with Duct type indoor unit. Heating capacity conditions: Indoor temperature 20°C DB; Outdoor temperature 7°C DB/6°C WB; Equivalent refrigerant piping length 7.5 m with zero level difference; Data calculated with Duct type indoor unit.
- (4) Sound pressure level is measured at a position 1 m in front of the unit and 1.3 m above the floor in a semi-anechoic chamber.

## DIMENSIONS & WEIGHT

	KPDF-36 DN5.0	KPDF-45 DN5.0	KPDF-56 DN5.0	KPDF-71 DN5.0
A	700 mm	900 mm	900 mm	1100 mm
B	530 mm	730 mm	730 mm	930 mm
C	40 mm	65 mm	65 mm	15 mm
H	745 mm	945 mm	945 mm	1145 mm
Inner unit weight	13 kg	16,5 kg	16,5 kg	20 kg



## INSTALLATION

