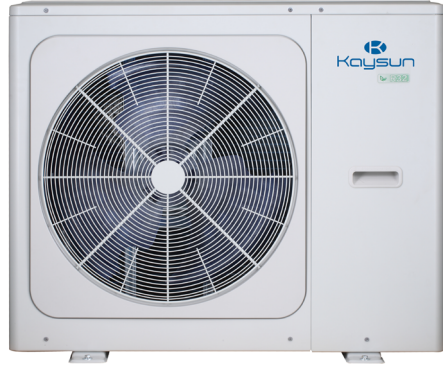


Minichillers Full DC Inverter R-32

PRODUCT SHEET



KCCHT-04
Standard controller

Product certified by:

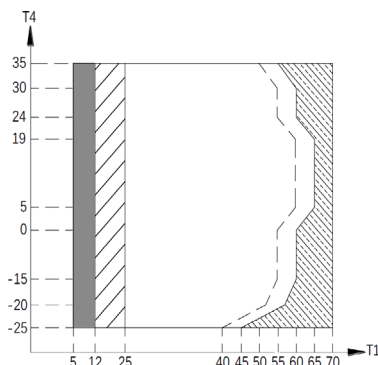


FEATURES

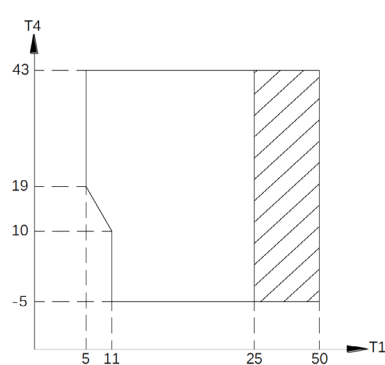
Model	KEM-05 DVR	KEM-07 DVR	KEM-09 DVR
Cooling capacity	5,5 kW	7,4 kW	9 kW
Cooling power input	1.692 W	2.349 W	3.103 W
Heating capacity	6,6 kW	8,5 kW	10,2 kW
Heating power input	1.650 W	2.237 W	2.795 W
EER / COP	3,25 / 4	3,15 / 3,8	2,9 / 3,65
SEER	5,09	5,19	5,08
SCOP (average zone water 35 °C) - Energy class	5,12 - A+++	5,18 - A+++	5,12 - A+++
Compressor type / No. compressors	Rotary Inverter / 1		
No. fans	1	1	1
Air flow	3.900 m ³ /h	4.500 m ³ /h	4.500 m ³ /h
Sound pressure	64 dB(A)	66 dB(A)	68 dB(A)
Refrigerant charge	1,3 kg	1,3 kg	1,3 kg
Water flow	0,9 m ³ /h	1,3 m ³ /h	1,3 m ³ /h
Volume of expansion tank	5 l	5 l	5 l
Available pressure pump	90 kPa	90 kPa	90 kPa
Hydraulic connections	1"	1"	1"
Power supply	220-240V / 1 / 50 Hz		

OPERATING LIMITS

Heating mode



Cooling mode

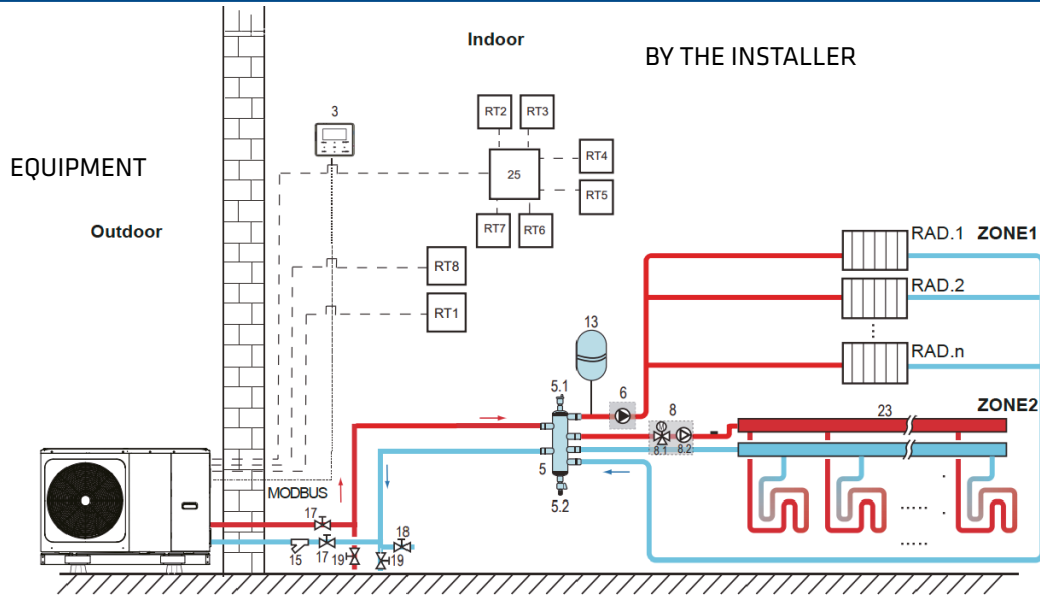


NOTES:

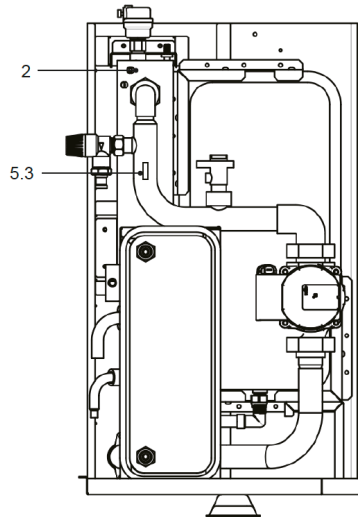
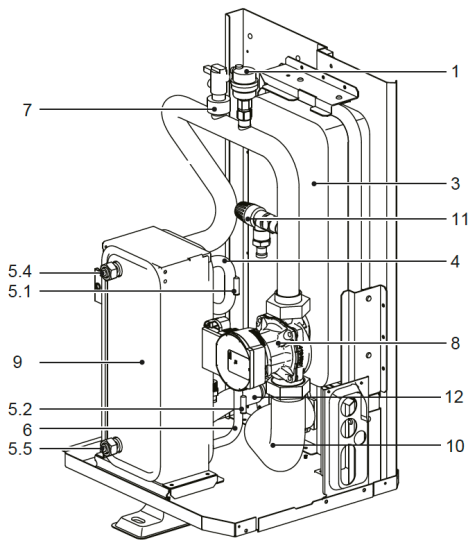
(1) The data and specifications present in this sheet may vary without notice.

(2) The images on this sheet are indicative and may be different from the final machine.

RECOMMENDED INSTALLATION

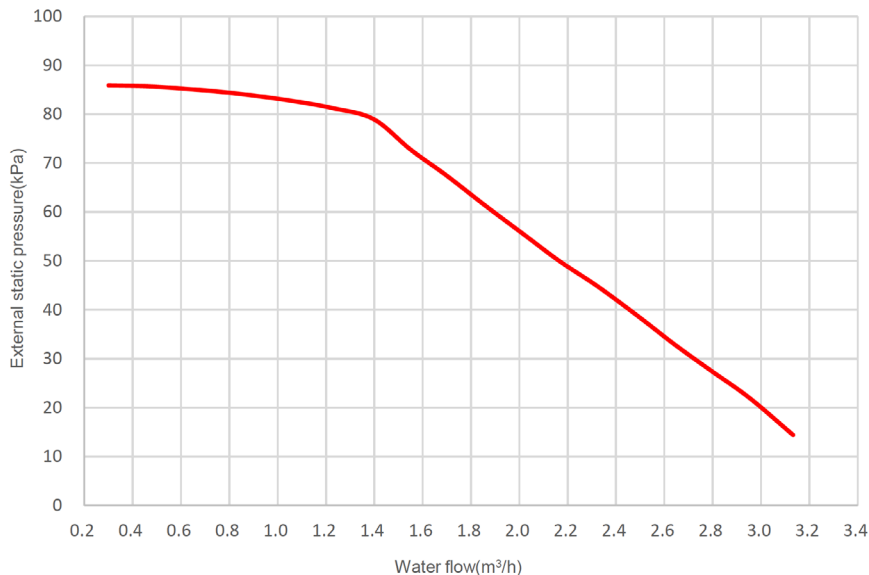


HYDRAULIC MODULE



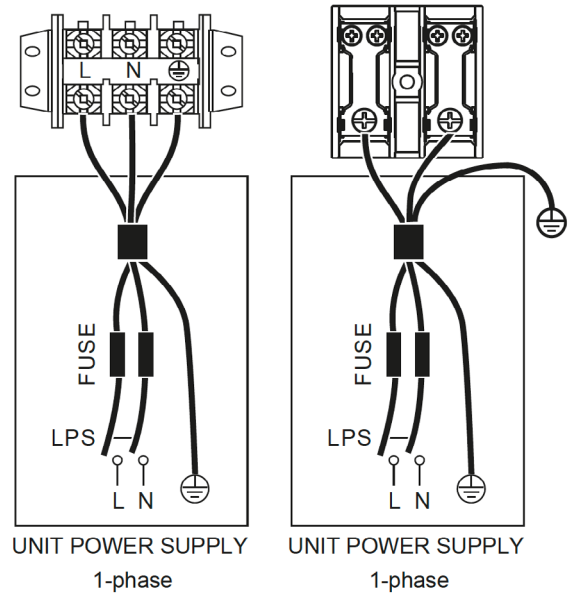
1. Air purge valve
2. Backup heater
3. Expansion vessel
4. Refrigerant gas pipe
5. Temperature sensor
6. Refrigerant liquid pipe
7. Flow switch
8. Pump
9. Plate heat exchanger
10. Water outlet pipe
11. Pressure relief valve
12. Water inlet pipe

WATER PUMP PERFORMANCE



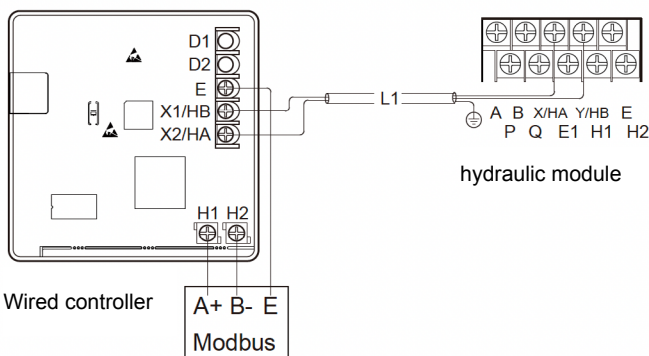
ELECTRIC CONNECTION

Rated current of appliance (A)	Nominal cross-sectional area (mm ²)	
	Flexible cords	Cable for fixed wiring
≤ 3	0,5 & 0,75	1 & 2,5
> 3 & ≤ 6	0,75 & 1	1 & 2,5
> 6 & ≤ 10	1 & 1,5	1 & 2,5
> 10 & ≤ 16	1,5 & 2,5	1,5 & 4
> 16 & ≤ 25	2,5 & 4	2,5 & 6
> 25 & ≤ 32	4 & 6	4 & 10
> 32 & ≤ 50	6 & 10	6 & 16
> 50 & ≤ 63	10 & 16	10 & 25



System	Outdoor unit				Power current			Compressor		OFM	
	Voltage (V)	Hz	Min. (V)	Max. (V)	MCA (A)	TOCA (A)	MFA (A)	MSC (A)	RLA (A)	KW	FLA (A)
4 kW	220-240	50	198	264	12	18	25	-	11,50	0,10	0,50
6 kW	220-240	50	198	264	14	18	25	-	13,50	0,10	0,50
8 kW	220-240	50	198	264	16	19	25	-	14,50	0,17	1,50

CONTROL CONNECTION

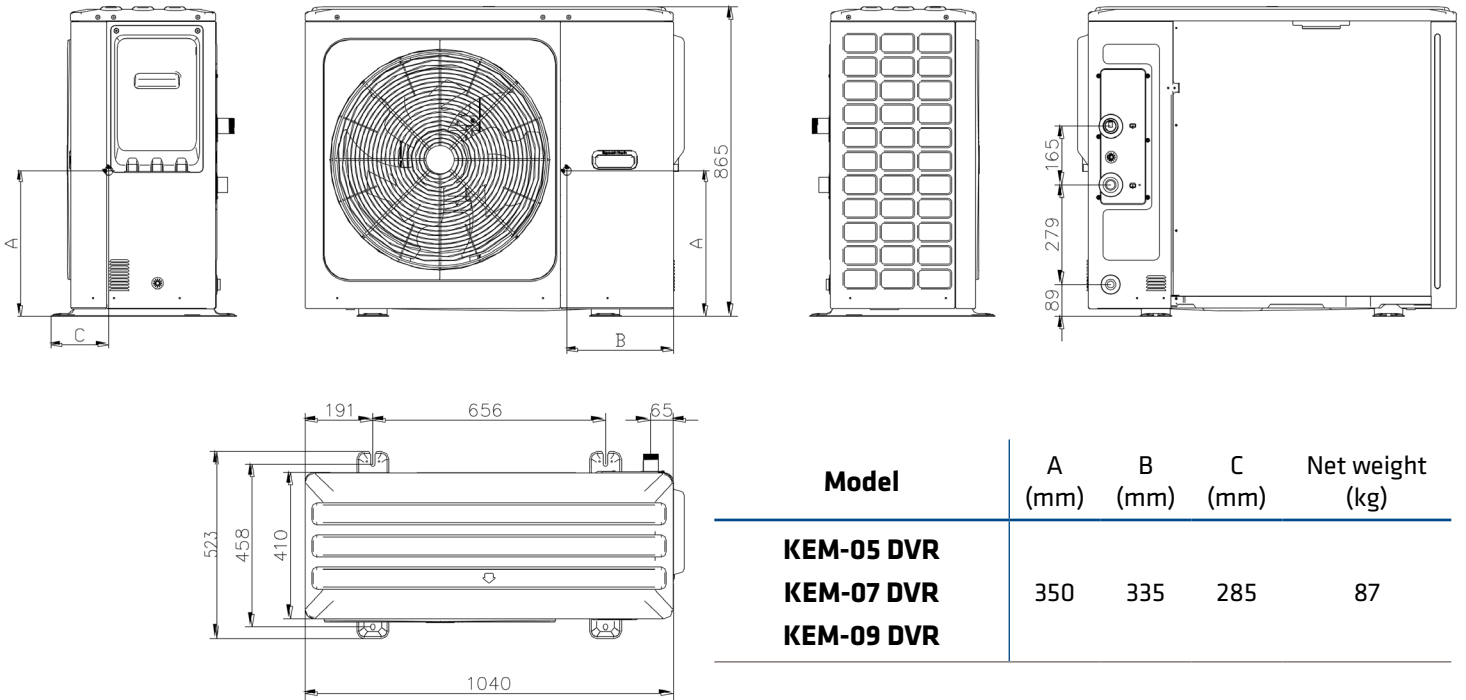


Input Voltage (HA/HB)	18 CC
Wiring size	0,75mm ²
Wiring type	Cable de par trenzado blindado de 2 núcleos
Wiring length	L1 < 50 m

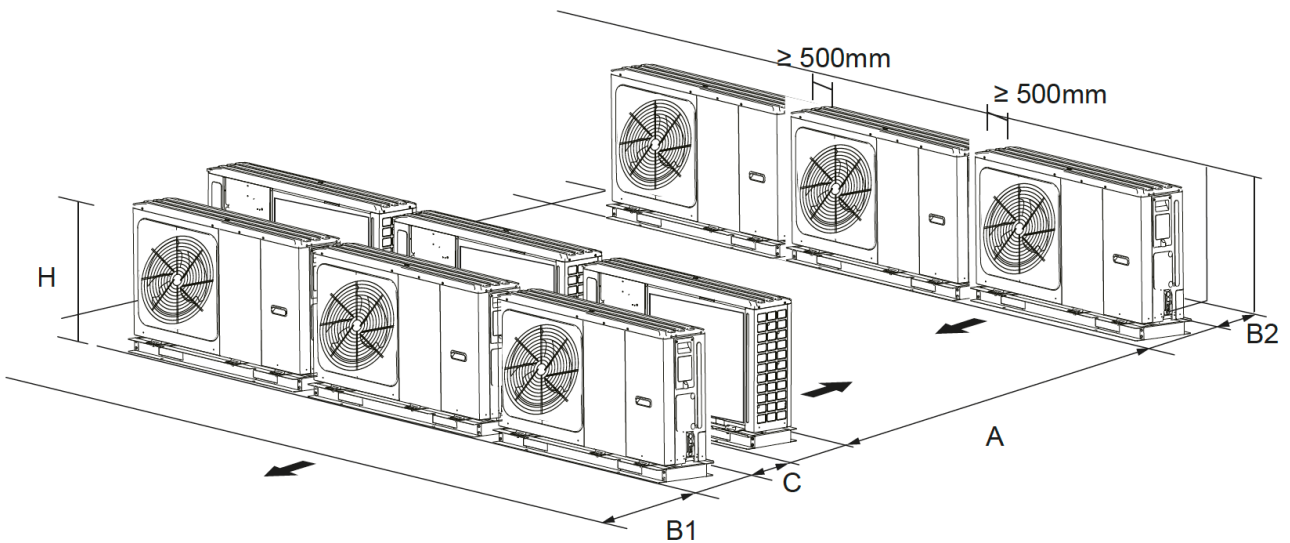
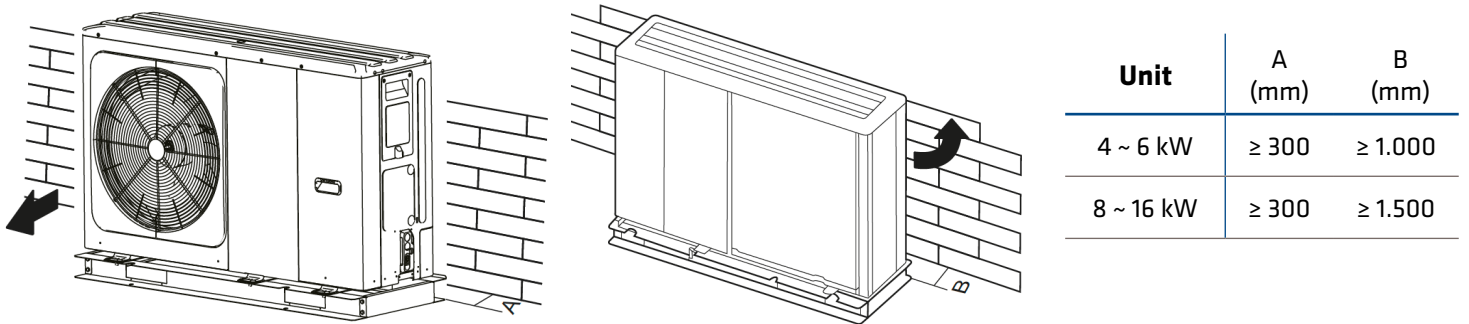


Kaysun
by frigicoll

DIMENSIONS OF UNIT



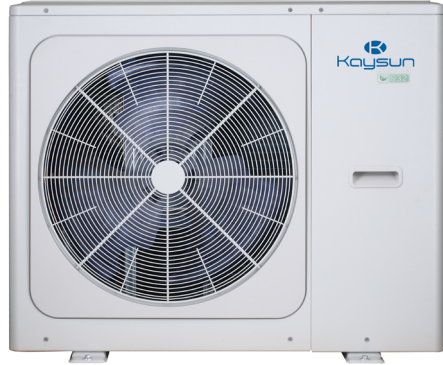
INSTALLATION



Unit	A (mm)	B1 (mm)	B2 (mm)	C (mm)
4 ~ 6 kW	≥ 2.500	≥ 1.000	≥ 300	≥ 600
8 ~ 16 kW	≥ 3.000	≥ 1.500		

Minichillers Full DC Inverter R-32

PRODUCT SHEET



KCCHT-07 MODBUS
Standard controller

Product certified by:

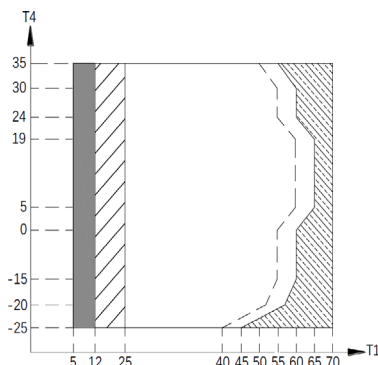


FEATURES

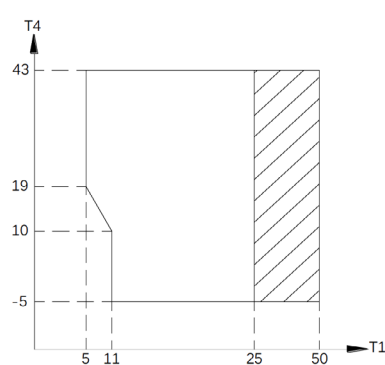
Model	KEM-12 DVR	KEM-14 DVR	KEM-16 DVR
Cooling capacity	11,6 kW	13,4 kW	14 kW
Cooling power input	3.742 W	4.573 W	4.828 W
Heating capacity	12,5 kW	14,5 kW	16,2 kW
Heating power input	3.378 W	4.085 W	4.695 W
EER / COP	3,1 / 3,7	2,93 / 3,55	2,9 / 3,45
SEER	5,07	5,09	5,11
SCOP (average zone water 35 °C) - Energy class	5,08 - A+++	4,89 - A+++	4,84 - A+++
Compressor type / No. compressors	Rotary Inverter / 1		
No. fans	1	1	1
Air flow	5.200 m ³ /h	5.200 m ³ /h	5.200 m ³ /h
Sound pressure	69 dB(A)	71 dB(A)	71 dB(A)
Refrigerant charge	1,8 kg	1,8 kg	1,8 kg
Water flow	2 m ³ /h	2,3 m ³ /h	2,4 m ³ /h
Volume of expansion tank	5 l	5 l	5 l
Available pressure pump	90 kPa	90 kPa	90 kPa
Hydraulic connections	1 1/4"	1 1/4"	1 1/4"
Power supply	220-240V / 1 / 50 Hz		

OPERATING LIMITS

Heating mode



Cooling mode

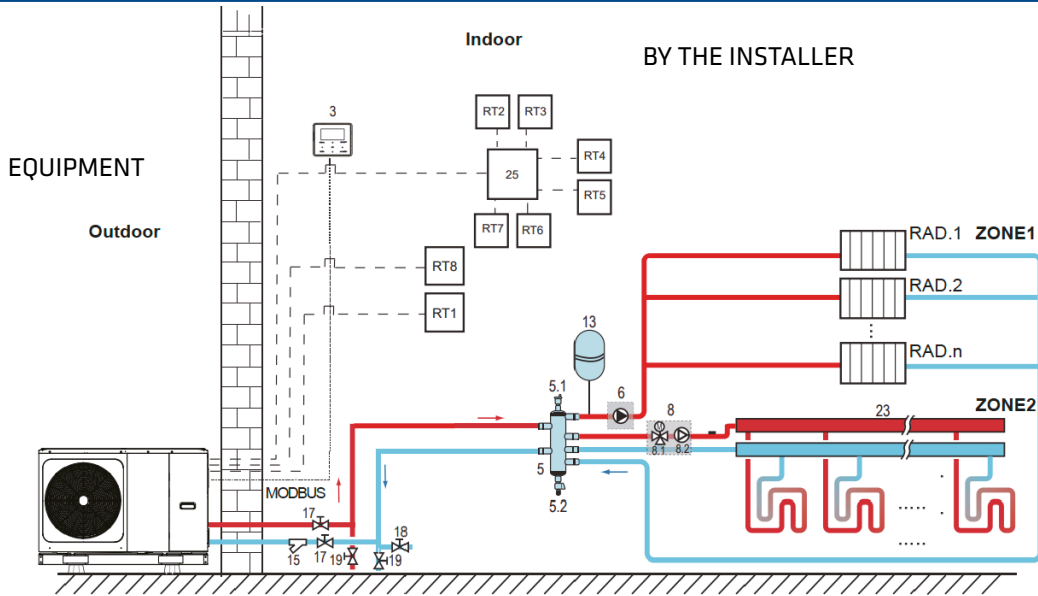


NOTES:

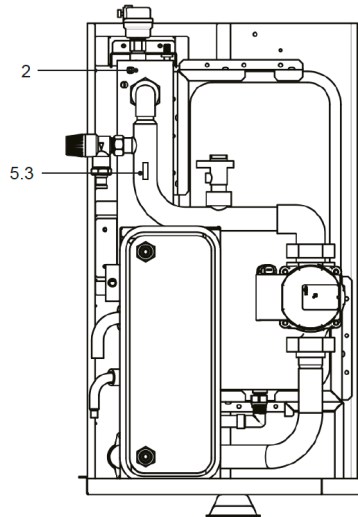
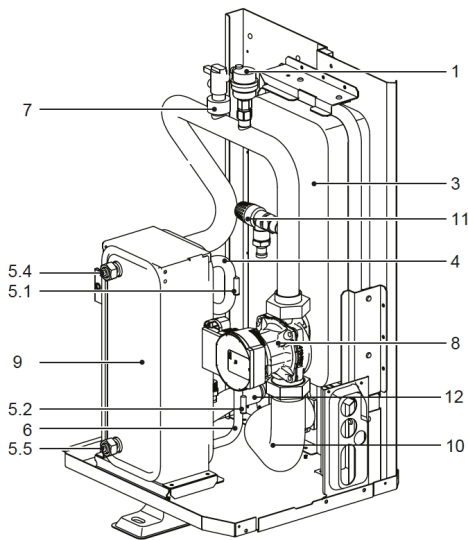
(1) The data and specifications present in this sheet may vary without notice.

(2) The images on this sheet are indicative and may be different from the final machine.

RECOMMENDED INSTALLATION

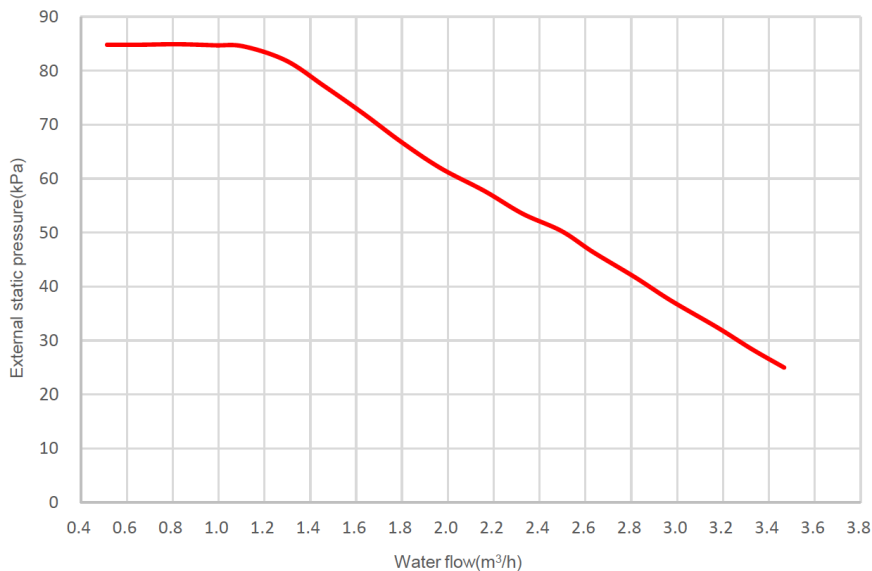


HYDRAULIC MODULE



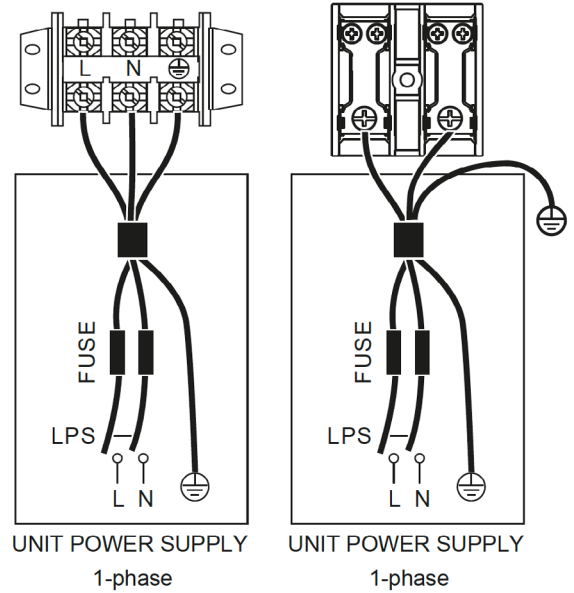
1. Air purge valve
2. Backup heater
3. Expansion vessel
4. Refrigerant gas pipe
5. Temperature sensor
6. Refrigerant liquid pipe
7. Flow switch
8. Pump
9. Plate heat exchanger
10. Water outlet pipe
11. Pressure relief valve
12. Water inlet pipe

WATER PUMP PERFORMANCE



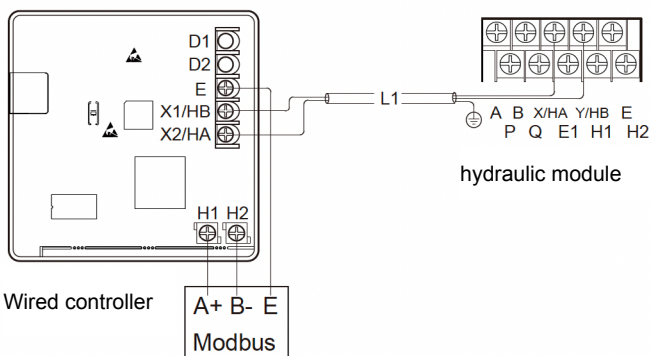
ELECTRIC CONNECTION

Rated current of appliance (A)	Nominal cross-sectional area (mm ²)	
	Flexible cords	Cable for fixed wiring
≤ 3	0,5 & 0,75	1 & 2,5
> 3 & ≤ 6	0,75 & 1	1 & 2,5
> 6 & ≤ 10	1 & 1,5	1 & 2,5
> 10 & ≤ 16	1,5 & 2,5	1,5 & 4
> 16 & ≤ 25	2,5 & 4	2,5 & 6
> 25 & ≤ 32	4 & 6	4 & 10
> 32 & ≤ 50	6 & 10	6 & 16
> 50 & ≤ 63	10 & 16	10 & 25



System	Outdoor unit				Power current			Compressor		OFM	
	Voltage (V)	Hz	Min. (V)	Max. (V)	MCA (A)	TOCA (A)	MFA (A)	MSC (A)	RLA (A)	KW	FLA (A)
12 kW	220-240	50	198	264	25	30	35	-	23,50	0,17	1,50
14 kW	220-240	50	198	264	26	30	35	-	24,50	0,17	1,50
16 kW	220-240	50	198	264	27	30	35	-	25,50	0,17	1,50

CONTROL CONNECTION

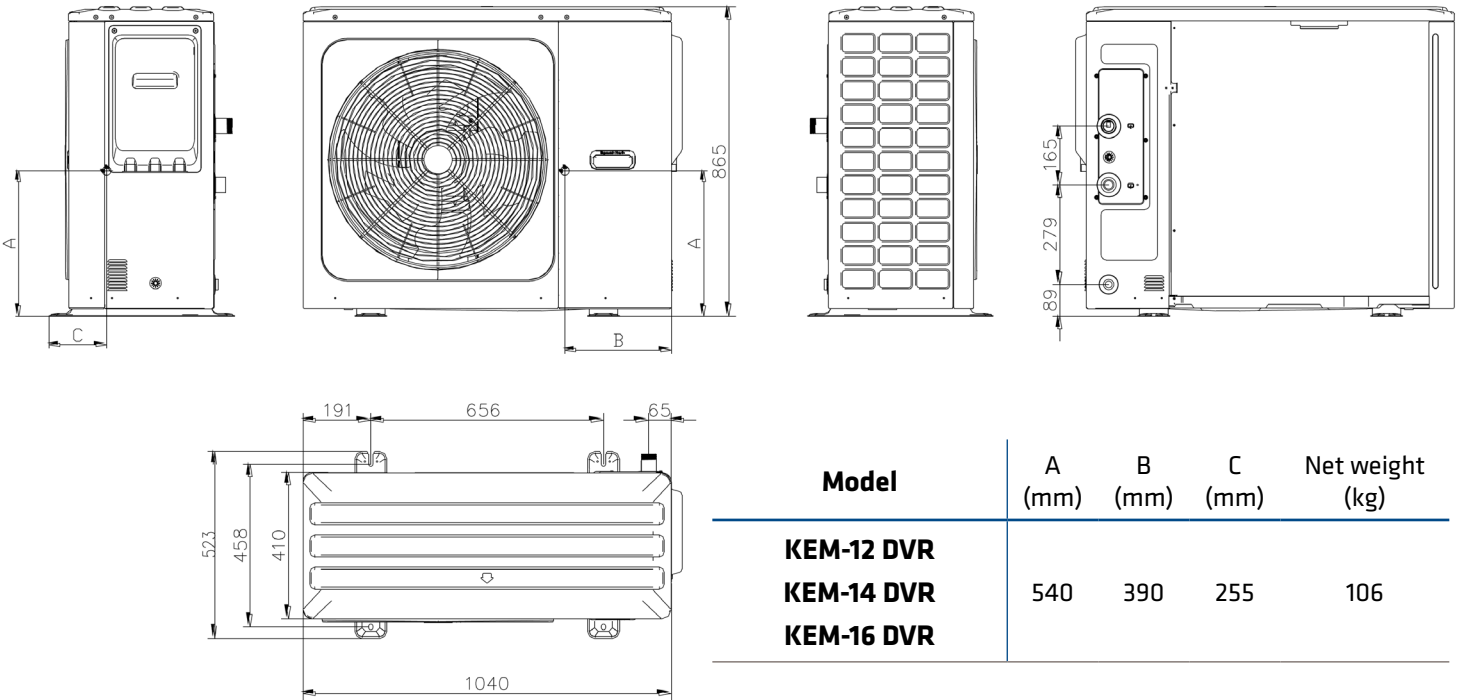


Input Voltage (HA/HB)	18 CC
Wiring size	0,75mm ²
Wiring type	Cable de par trenzado blindado de 2 núcleos
Wiring length	L1 < 50 m

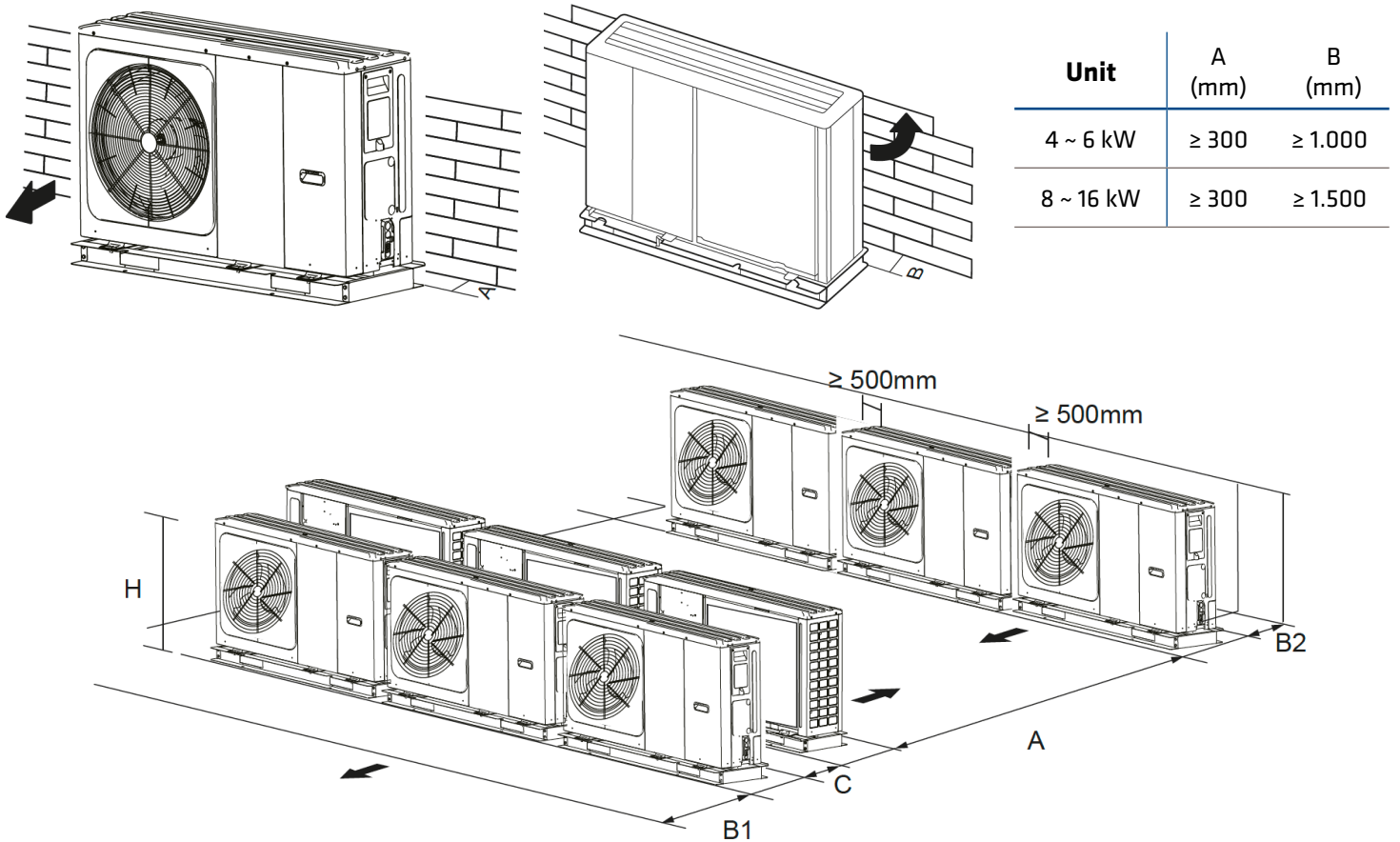


Kaysun
by frigicoll

DIMENSIONS OF UNIT



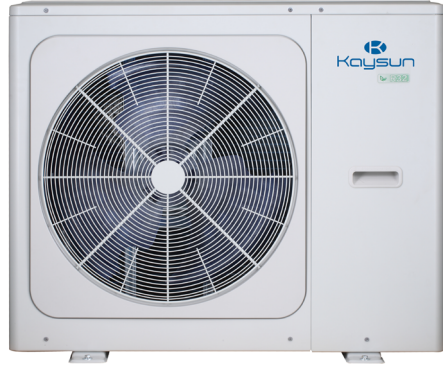
INSTALLATION



Unit	A (mm)	B1 (mm)	B2 (mm)	C (mm)
4 ~ 6 kW	≥ 2.500	≥ 1.000	≥ 300	≥ 600
8 ~ 16 kW	≥ 3.000	≥ 1.500		

Minichillers Full DC Inverter R-32

PRODUCT SHEET



KCCHT-07 MODBUS
Standard controller

Product certified by:

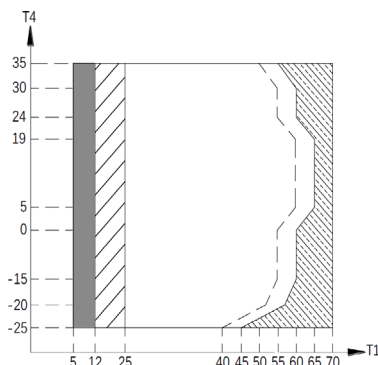


FEATURES

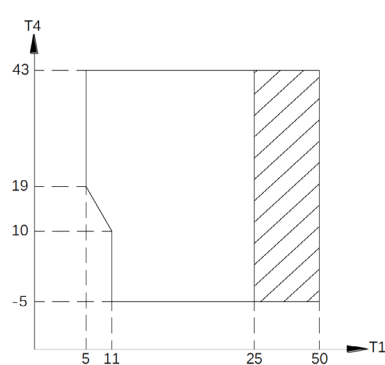
Model	KEM-12 DTR	KEM-14 DTR	KEM-16 DTR
Cooling capacity	11,6 kW	13,4 kW	14 kW
Cooling power input	3.742 W	4.573 W	4.828 W
Heating capacity	12,5 kW	14,5 kW	16,2 kW
Heating power input	3.378 W	4.085 W	4.695 W
EER / COP	3,1 / 3,7	2,93 / 3,55	2,9 / 3,45
SEER	5,11	5,12	5,14
SCOP (average zone water 35 °C) - Energy class	5,08 - A+++	4,89 - A+++	4,84 - A+++
Compressor type / No. compressors	Rotary Inverter / 1		
No. fans	1	1	1
Air flow	5.200 m ³ /h	5.200 m ³ /h	5.200 m ³ /h
Sound pressure	74 dB(A)	74 dB(A)	74 dB(A)
Refrigerant charge	1,8 kg	1,8 kg	1,8 kg
Water flow	2 m ³ /h	2,3 m ³ /h	2,4 m ³ /h
Volume of expansion tank	5 l	5 l	5 l
Available pressure pump	90 kPa	90 kPa	90 kPa
Hydraulic connections	1 1/4"	1 1/4"	1 1/4"
Power supply	380-415 V / 3 / 50 Hz		

OPERATING LIMITS

Heating mode



Cooling mode

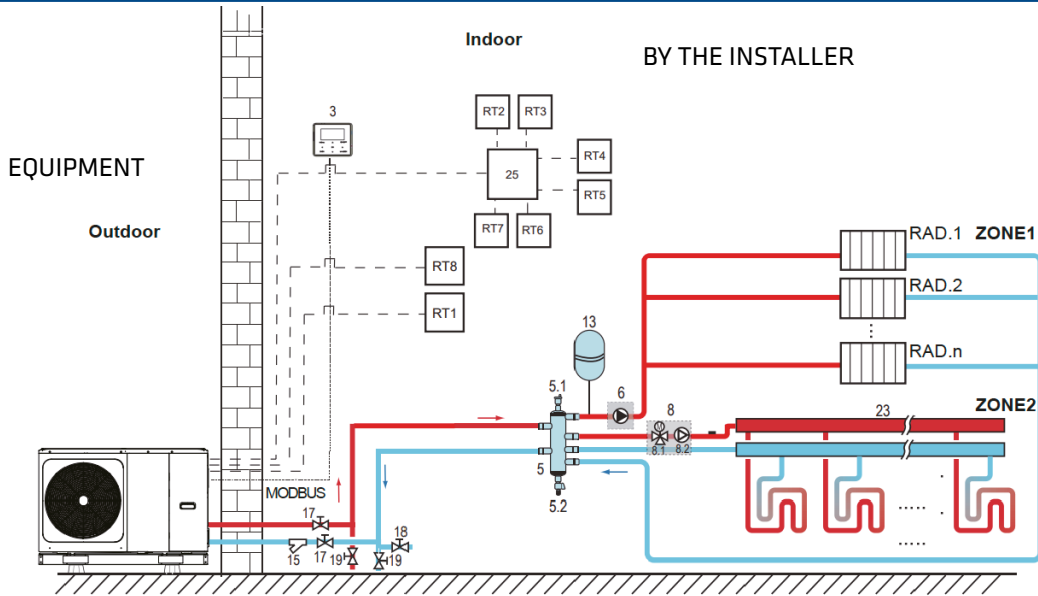


NOTES:

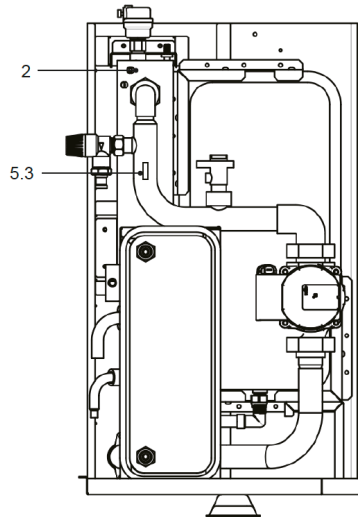
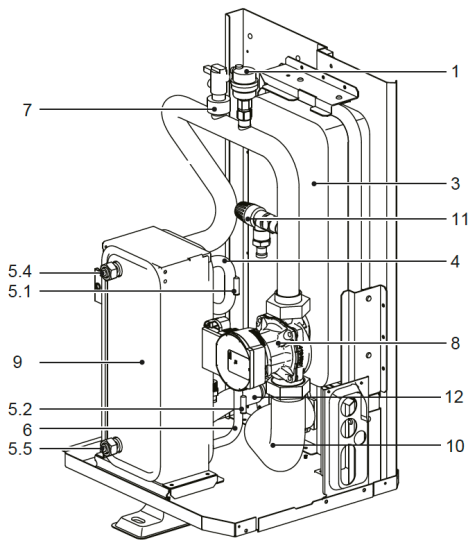
(1) The data and specifications present in this sheet may vary without notice.

(2) The images on this sheet are indicative and may be different from the final machine.

RECOMMENDED INSTALLATION

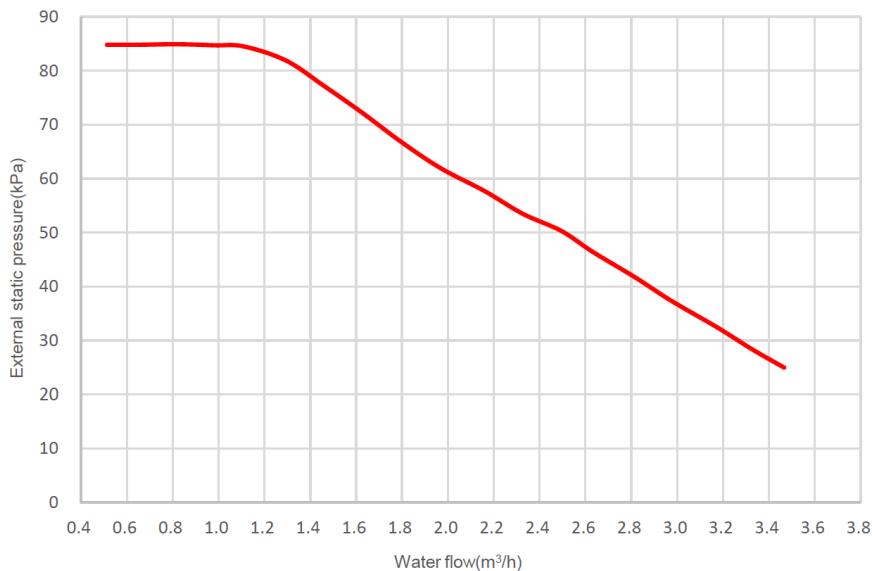


HYDRAULIC MODULE



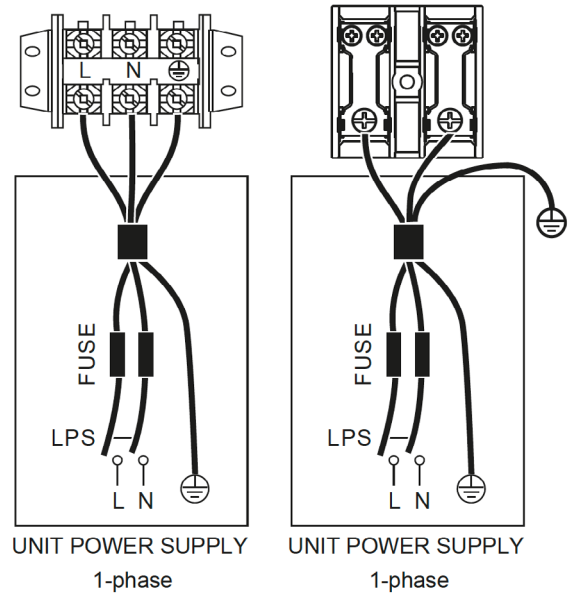
1. Air purge valve
2. Backup heater
3. Expansion vessel
4. Refrigerant gas pipe
5. Temperature sensor
6. Refrigerant liquid pipe
7. Flow switch
8. Pump
9. Plate heat exchanger
10. Water outlet pipe
11. Pressure relief valve
12. Water inlet pipe

WATER PUMP PERFORMANCE



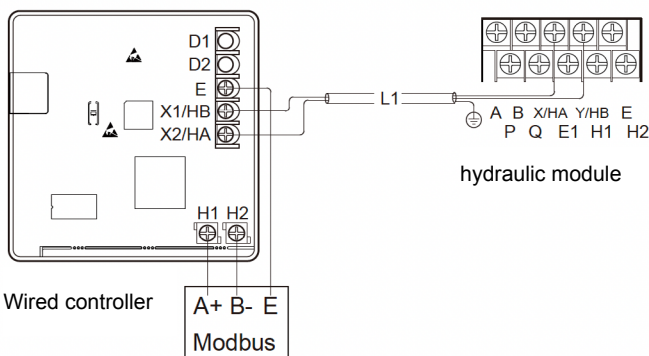
ELECTRIC CONNECTION

Rated current of appliance (A)	Nominal cross-sectional area (mm ²)	
	Flexible cords	Cable for fixed wiring
≤ 3	0,5 & 0,75	1 & 2,5
> 3 & ≤ 6	0,75 & 1	1 & 2,5
> 6 & ≤ 10	1 & 1,5	1 & 2,5
> 10 & ≤ 16	1,5 & 2,5	1,5 & 4
> 16 & ≤ 25	2,5 & 4	2,5 & 6
> 25 & ≤ 32	4 & 6	4 & 10
> 32 & ≤ 50	6 & 10	6 & 16
> 50 & ≤ 63	10 & 16	10 & 25



System	Outdoor unit				Power current			Compressor		OFM	
	Voltage (V)	Hz	Min. (V)	Max. (V)	MCA (A)	TOCA (A)	MFA (A)	MSC (A)	RLA (A)	KW	FLA (A)
12 kW	380-415	50	342	456	10	14	16	-	9,15	0,17	1,50
14 kW	380-415	50	342	456	11	14	16	-	10,15	0,17	1,50
16 kW	380-415	50	342	456	12	14	16	-	11,15	0,17	1,50

CONTROL CONNECTION

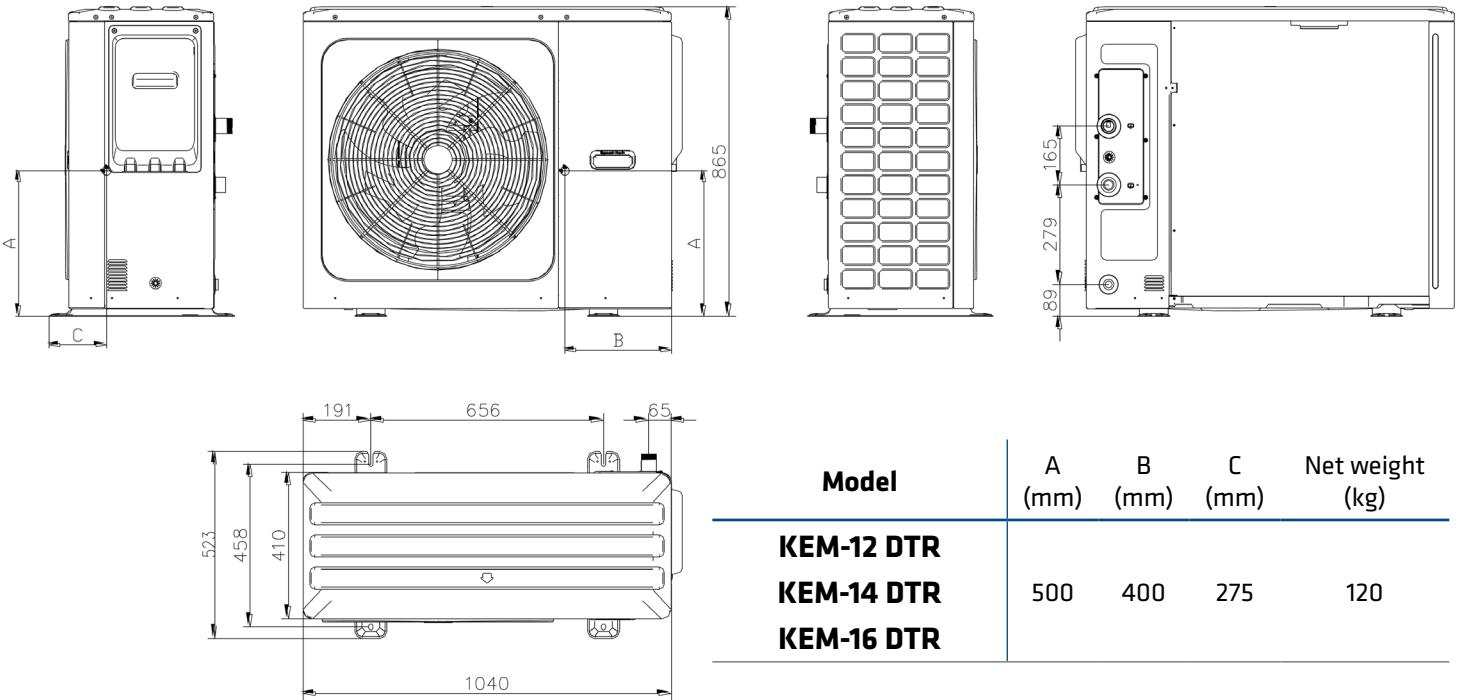


Input Voltage (HA/HB)	18 CC
Wiring size	0,75mm ²
Wiring type	Cable de par trenzado blindado de 2 núcleos
Wiring length	L1 < 50 m

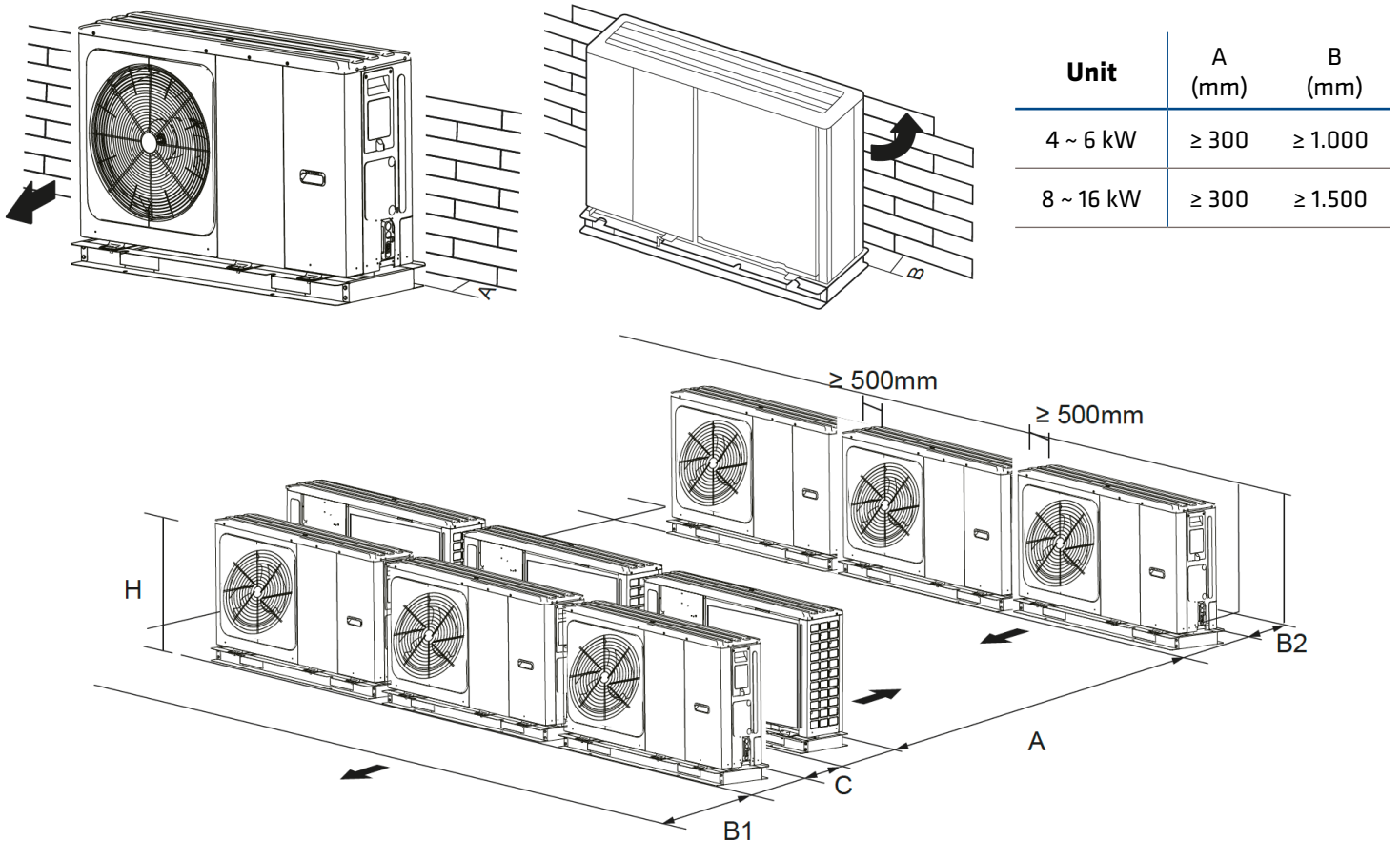


Kaysun
by frigicoll

DIMENSIONS OF UNIT



INSTALLATION



Unit	A (mm)	B1 (mm)	B2 (mm)	C (mm)
4 ~ 6 kW	≥ 2.500	≥ 1.000	≥ 300	≥ 600
8 ~ 16 kW	≥ 3.000	≥ 1.500		