

New Modular Full DC Inverter Chillers with Hydraulic Kit

PRODUCT SHEET

* Consult


 KCCHT-06 MODBUS
Standard controller

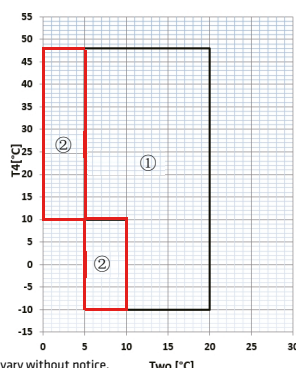
 Product certified by:  


FEATURES

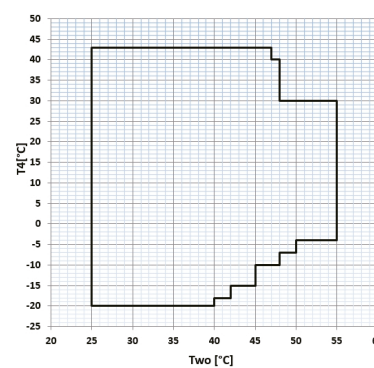
Model	KEM-75 DRS5 KH
Cooling capacity	70 kW
Cooling power input	26.800 W
Heating capacity	75 kW
Heating power input	23.700 W
EER / COP	2,61 / 3,16
SEER	4,45
SCOP (average zone water 35 °C) - Energy class	4,05 - A++
Compressor type / No. compressors	Scroll Inverter / 2
No. fans	2
Air flow	30.000 m ³ /h
Sound pressure	65 dB(A)
Refrigerant / supplementary charge	9 kg / - kg
Water flow	13 m ³ /h
Load loss	52 kPa
Hydraulic connections	2"
Power supply	380-415 V / 3 / 50 Hz
Available pressure pump	Consult
Expansion vessel	Consult
Pump consumption	Consult

OPERATING LIMITS

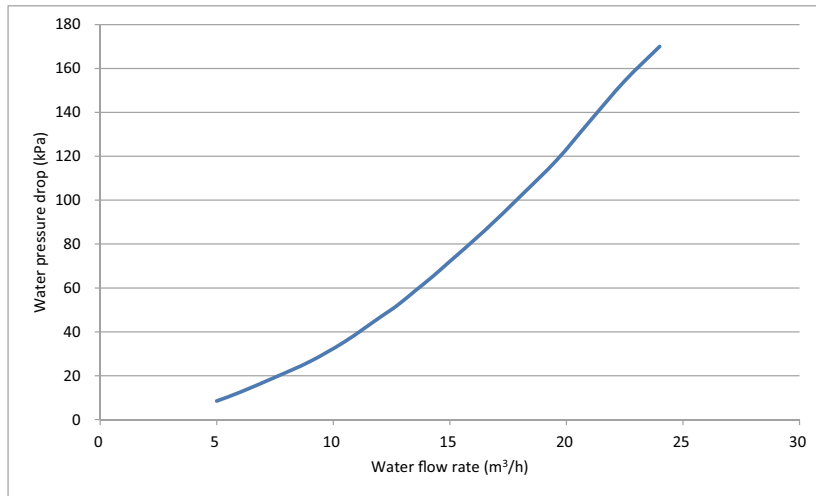
Cooling mode



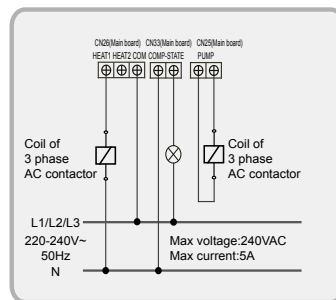
Heating mode


 NOTES:
 (1) The data and specifications present in this sheet may vary without notice.
 (2) The images on this sheet are indicative and may be different from the final machine.

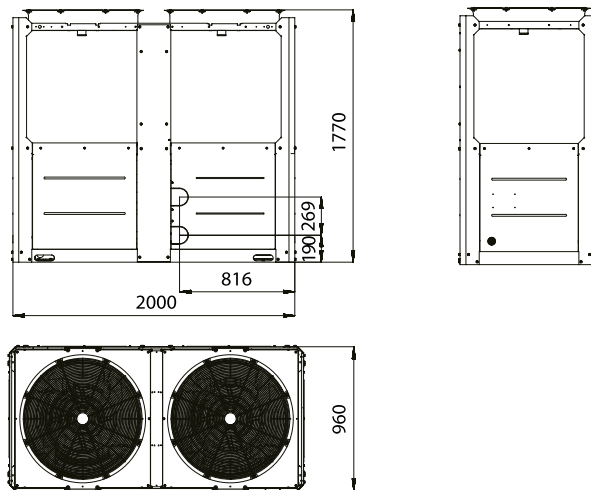
PUMP CURVE. LOSS OF LOAD



WIRING DIAGRAM



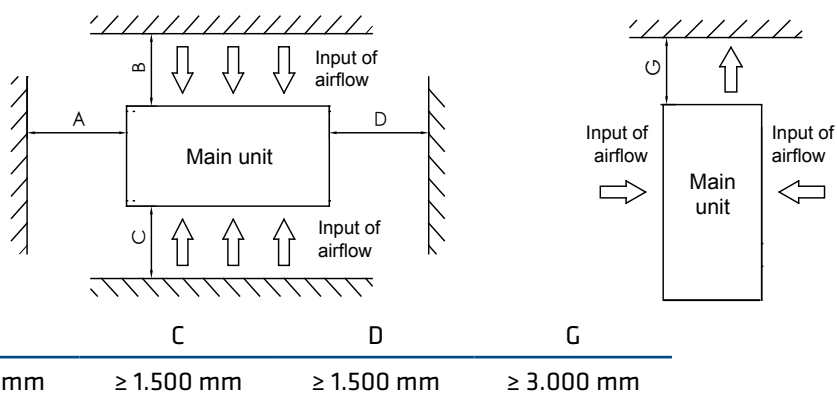
DIMENSIONS OF UNIT



Net weight

430 kg

INSTALLATION



New Modular Full DC Inverter Chillers with Hydraulic Kit

PRODUCT SHEET



KCCHT-06 MODBUS
Standard controller

Product certified by:  

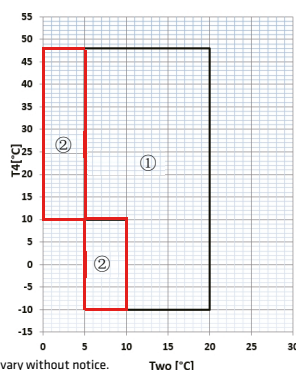


FEATURES

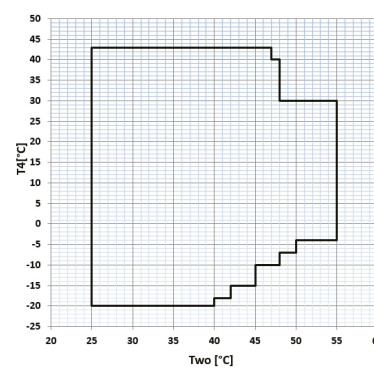
Model	KEM-90 DR55 KH
Cooling capacity	82 kW
Cooling power input	27.800 W
Heating capacity	90 kW
Heating power input	28.100 W
EER / COP	2,95 / 3,2
SEER	4,58
SCOP (average zone water 35 °C) - Energy class	3,97 - A++
Compressor type / No. compressors	Scroll Inverter / 2
No. fans	2
Air flow	35.000 m ³ /h
Sound pressure	65 dB(A)
Refrigerant / supplementary charge	11,5 kg / 4,5 kg
Water flow	15 m ³ /h
Load loss	75 kPa
Hydraulic connections	2"
Power supply	380-415 V / 3 / 50 Hz
Available pressure pump	250 kPa
Expansion vessel	12 l
Pump consumption	2 kW

OPERATING LIMITS

Cooling mode

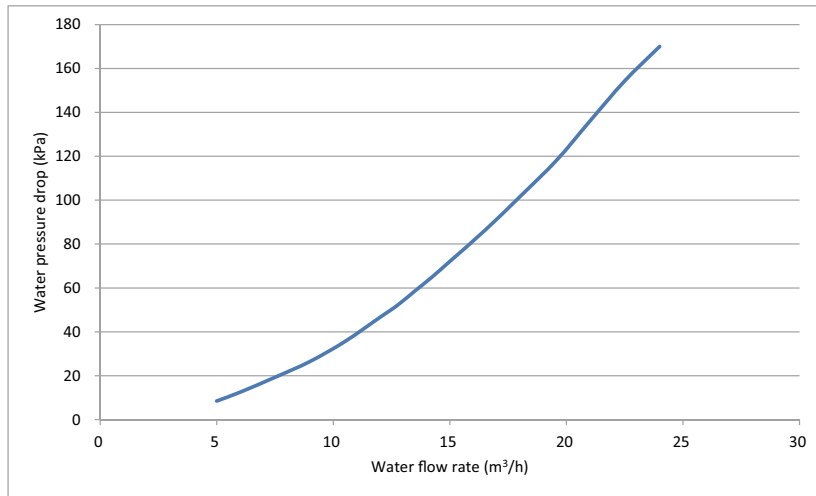


Heating mode

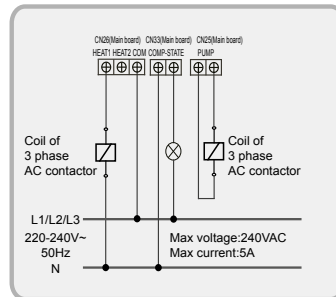


NOTES:
(1) The data and specifications present in this sheet may vary without notice.
(2) The images on this sheet are indicative and may be different from the final machine.

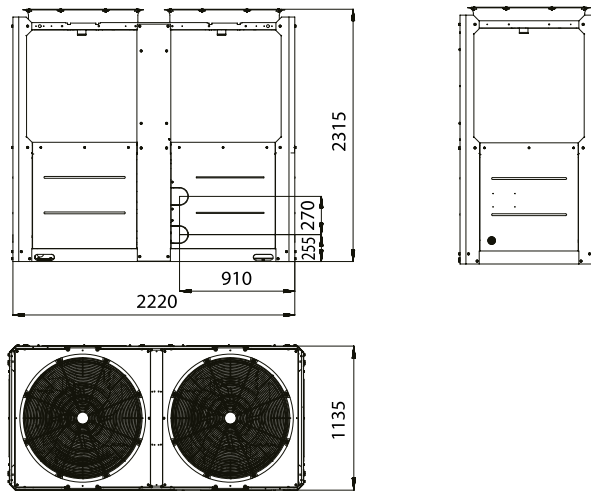
PUMP CURVE. LOSS OF LOAD



WIRING DIAGRAM



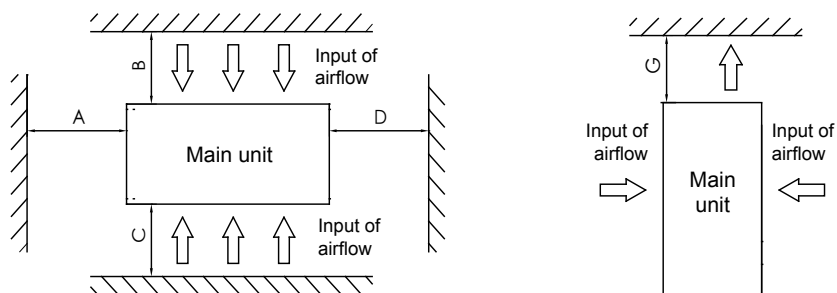
DIMENSIONS OF UNIT



Net weight

635 kg

INSTALLATION



A	B	C	D	G
≥ 1.500 mm	≥ 1.500 mm	≥ 1.500 mm	≥ 1.500 mm	≥ 3.000 mm

New Modular Full DC Inverter Chillers with Hydraulic Kit

PRODUCT SHEET

* Consult


 KCCHT-06 MODBUS
Standard controller

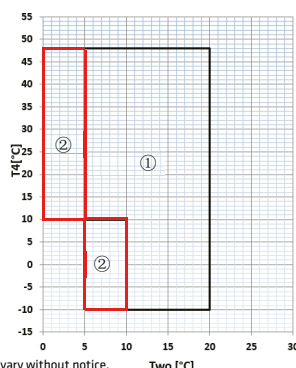
 Product certified by:  


FEATURES

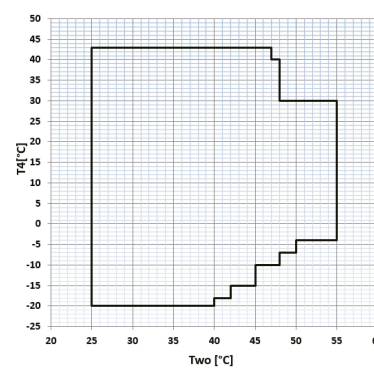
Model	KEM-140 DRS5 KH
Cooling capacity	130 kW
Cooling power input	50.500 W
Heating capacity	138 kW
Heating power input	44.500 W
EER / COP	2,57 / 3,1
SEER	4,3
SCOP (average zone water 35 °C) - Energy class	4,05 - A++
Compressor type / No. compressors	Scroll Inverter / 2
No. fans	2
Air flow	55.000 m ³ /h
Sound pressure	67 dB(A)
Refrigerant / supplementary charge	11,5 kg / 4 kg
Water flow	24 m ³ /h
Load loss	75 kPa
Hydraulic connections	2 1/2"
Power supply	380-415 V / 3 / 50 Hz
Available pressure pump	Consult
Expansion vessel	Consult
Pump consumption	Consult

OPERATING LIMITS

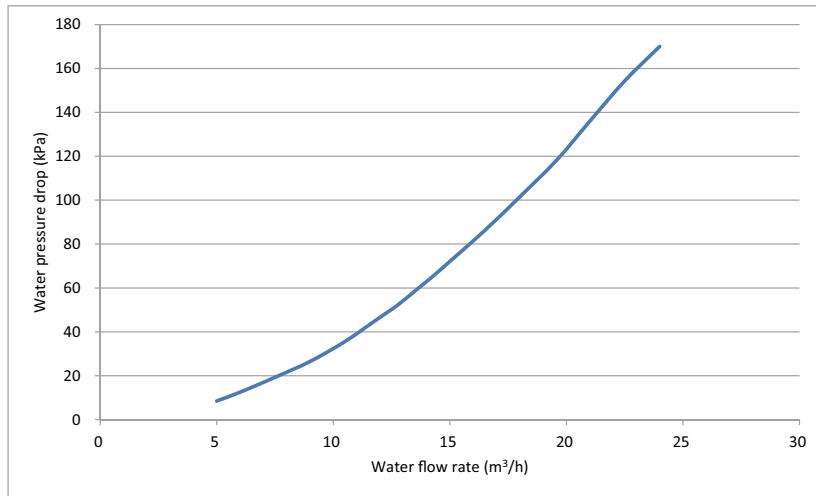
Cooling mode



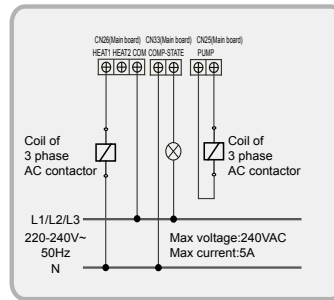
Heating mode


 NOTES:
 (1) The data and specifications present in this sheet may vary without notice.
 (2) The images on this sheet are indicative and may be different from the final machine.

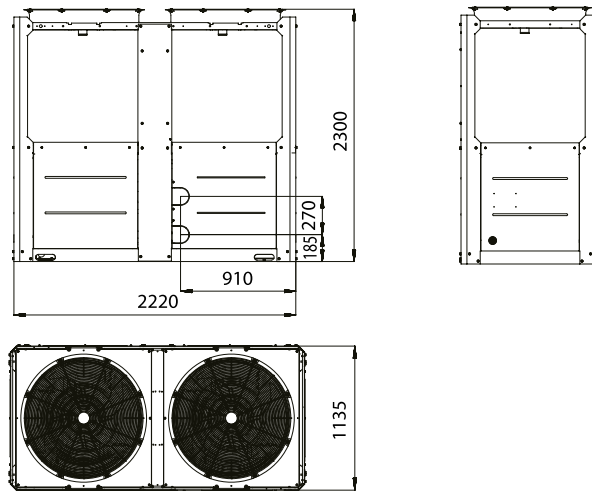
PUMP CURVE. LOSS OF LOAD



WIRING DIAGRAM



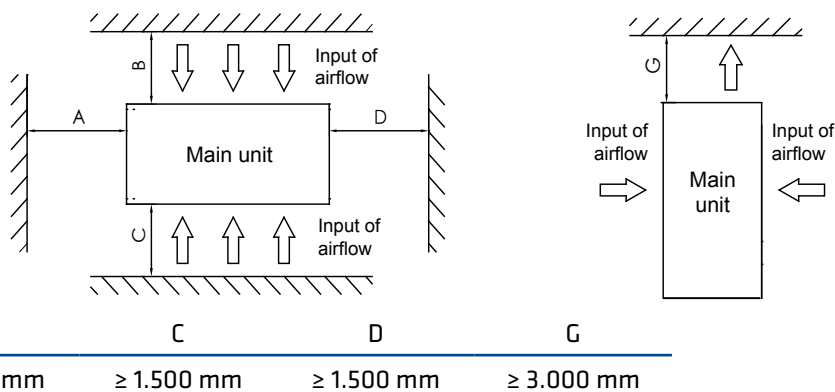
DIMENSIONS OF UNIT



Net weight

670 kg

INSTALLATION



New Modular Full DC Inverter Chillers with Hydraulic Kit

PRODUCT SHEET

* Consult


 KCCHT-06 MODBUS
Standard controller

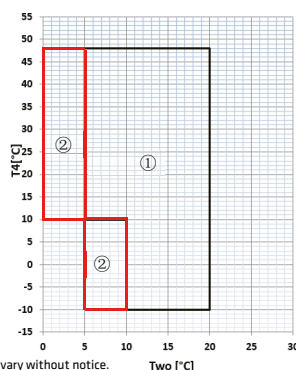
 Product certified by:  


FEATURES

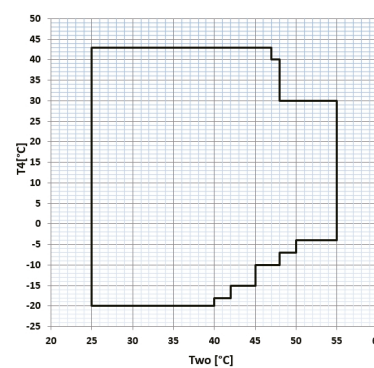
Model	KEM-180 DRS5 KH
Cooling capacity	164 kW
Cooling power input	56.000 W
Heating capacity	180 kW
Heating power input	3.160 W
EER / COP	3,16
SEER	4,41
SCOP (average zone water 35 °C) - Energy class	3,8 - A+
Compressor type / No. compressors	Scroll Inverter / 4
No. fans	4
Air flow	70.000 m ³ /h
Sound pressure	70 dB(A)
Refrigerant / supplementary charge	11,5 + 11,5 kg / 4,5 + 4,5 kg
Water flow	31 m ³ /h
Load loss	75 kPa
Hydraulic connections	3"
Power supply	380-415 V / 3 / 50 Hz
Available pressure pump	Consult
Expansion vessel	Consult
Pump consumption	Consult

OPERATING LIMITS

Cooling mode

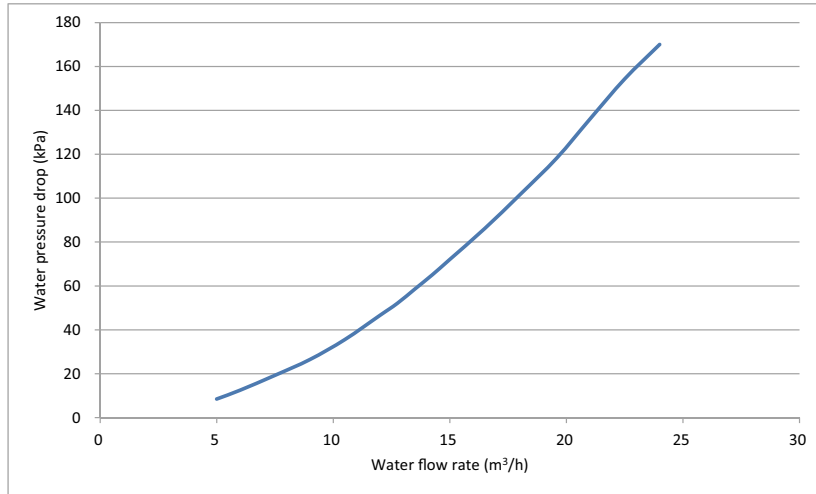


Heating mode

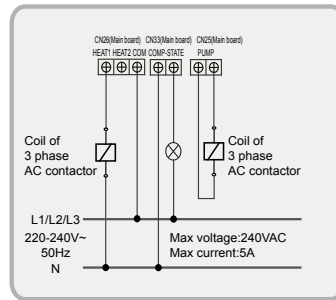

 NOTES:
 (1) The data and specifications present in this sheet may vary without notice.
 (2) The images on this sheet are indicative and may be different from the final machine.



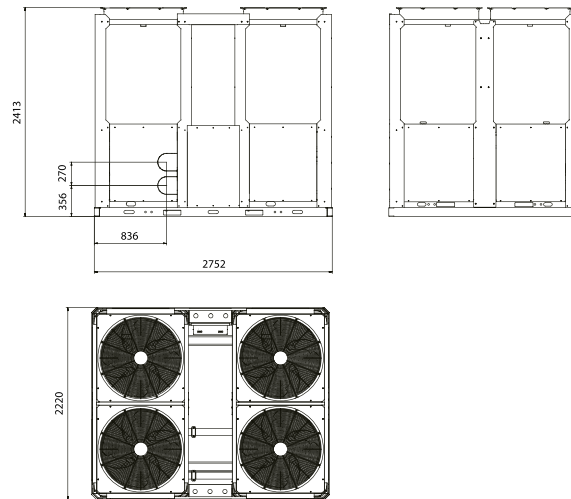
PUMP CURVE. LOSS OF LOAD



WIRING DIAGRAM



DIMENSIONS OF UNIT



Net weight

1.420 kg

INSTALLATION

