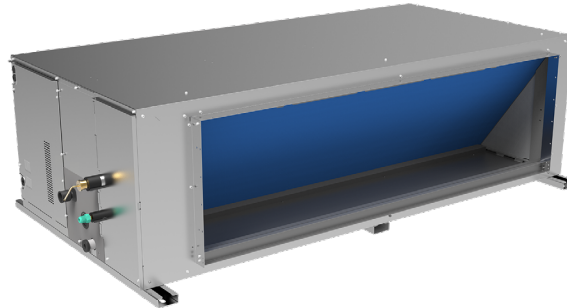


PRODUCT SHEET

High Pressure Duct S8


 KCT-03 SR
Recommended control

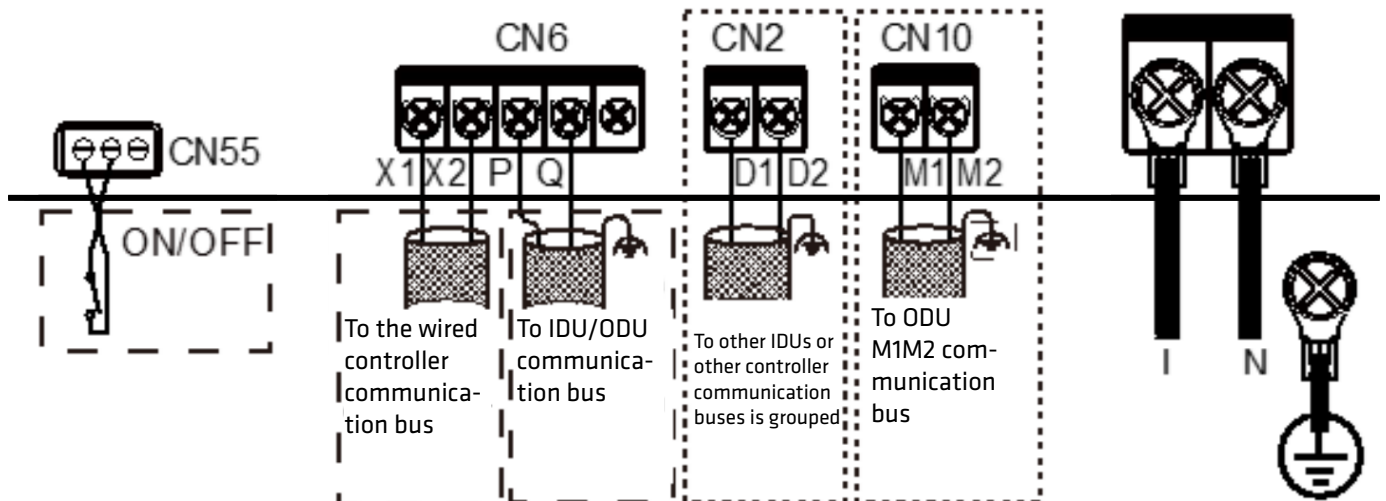
Product certified by:



FEATURES

Model	KPDUF-200 DNS.0	KPDUF-252 DNS.0	KPDUF-280 DNS.0
Nominal cooling capacity	20 kW	25,20 kW	28 kW
Nominal heating capacity	22,50 kW	26 kW	31,50 kW
Consumption	780 W	780 W	780 W
Power supply	220-240/1/50	220-240/1/50	220-240/1/50
MCA: Minimum circuit amperes	8,19 A	8,19 A	8,19 A
MFA: Max. fuse amperes	30 A	30 A	30 A
Air flow rate	2820/3133/3447/3760/4073/4387/4700 m ³ /h	2820/3133/3447/3760/4073/4387/4700 m ³ /h	2820/3133/3447/3760/4073/4387/4700 m ³ /h
Max. static pressure	400 Pa	400 Pa	400 Pa
Sound pressure	42/43/44/46/48/50/51 dB(A)	42/43/44/46/48/50/51 dB(A)	42/43/44/46/48/50/51 dB(A)
Liquid pipe diameter	9,52 mm	9,52 mm	12,70 mm
Gas pipe diameter	19,1 mm	19,1 mm	22,20 mm

CIRCUIT DIAGRAM



NOTES:

 (1) Data and specifications not applicable for calculation or execution of installations. For consultation and/or verification, official technical documentation is available at www.kaysun.es or VRF Selecta selection software.

(2) The data and specifications in this sheet are subject to change without notice.

(3) The images in this sheet are for guidance only and may be different from the actual machine.

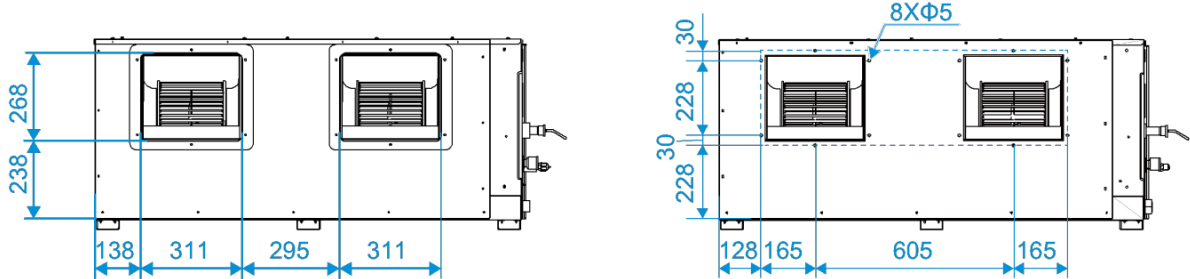
(4) Cooling capacity conditions: Indoor temperature 27°C DB/19°C WB; Outdoor temperature 35°C DB; Equivalent refrigerant piping length 7.5 m with zero level difference; Data calculated with Duct type indoor unit. Heating capacity conditions: Indoor temperature 20°C DB; Outdoor temperature 7°C DB/6°C WB; Equivalent refrigerant piping length 7.5 m with zero level difference; Data calculated with Duct type indoor unit.

(5) Sound pressure level is measured at a position 1 m in front of the unit and 1.3 m above the floor in a semi-anechoic chamber.

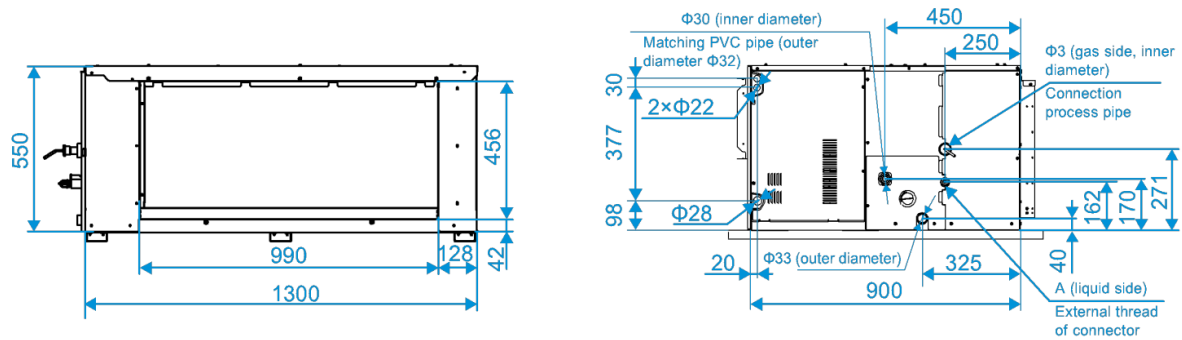
DIMENSIONS & WEIGHT

	KPDUF-200 DN5.0	KPDUF-252 DN5.0	KPDUF-280 DN5.0
Inner unit weight	125 kg	125 kg	125 kg

Air supply



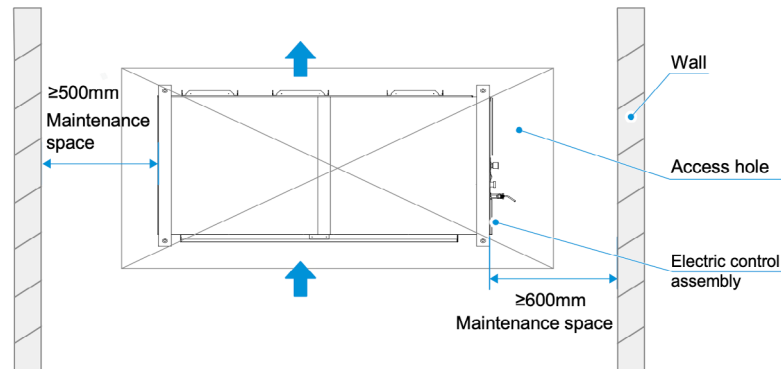
Air return



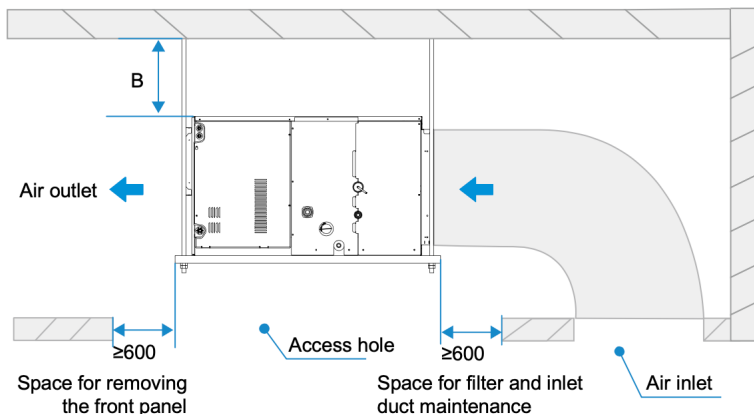
INSTALLATION

Bottom view

(Unit: mm)

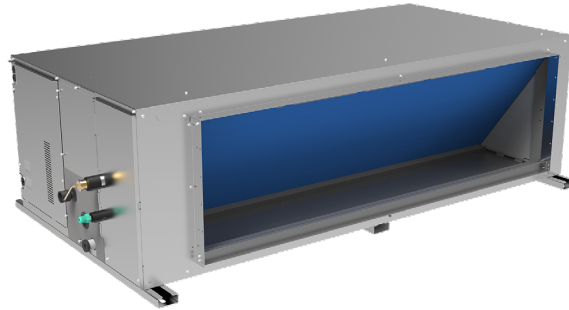


Side view



PRODUCT SHEET

High Pressure Duct S8


KCT-03 SR
Recommended control

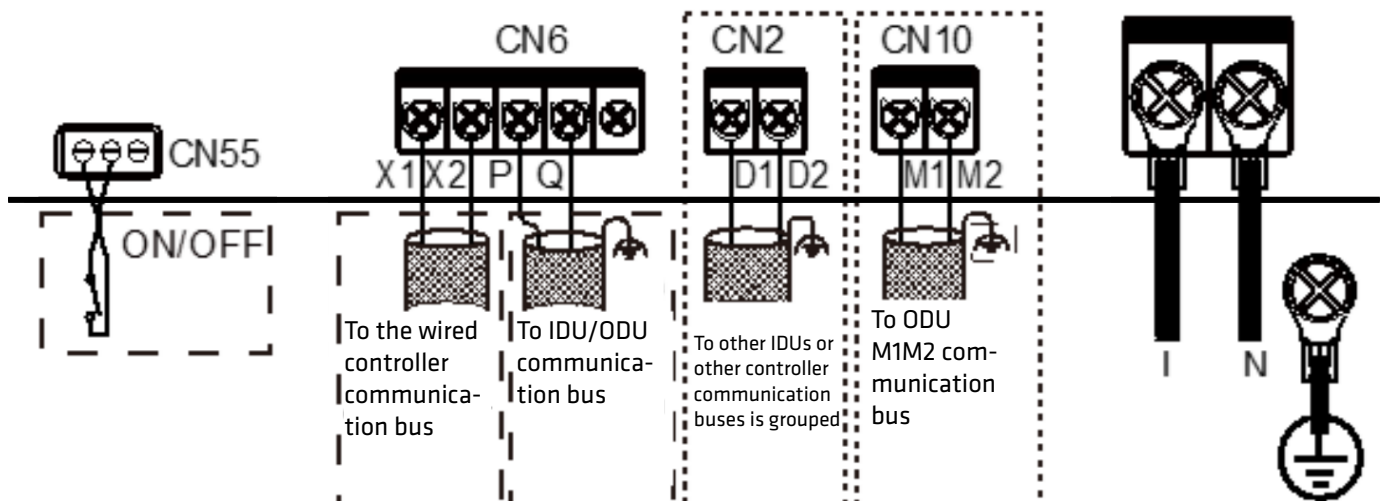
Product certified by:



FEATURES

Model	KPDUF-400 DN5.0	KPDUF-450 DN5.0	KPDUF-560 DN5.0
Nominal cooling capacity	40 kW	45 kW	56 kW
Nominal heating capacity	45 kW	56 kW	63 kW
Consumption	1850 W	1850 W	2030 W
Power supply	220-240/1/50	220-240/1/50	220-240/1/50
MCA: Minimum circuit amperes	12,98 A	12,98 A	15,49 A
MFA: Max. fuse amperes	30 A	30 A	30 A
Air flow rate	4.500/5.500/6.000/6.500/7.000/7.500 m ³ /h	4.500/5.500/6.000/6.500/7.000/7.500 m ³ /h	5040/5600/6160/6720/7280/7840/8400 m ³ /h
Max. static pressure	400 Pa	400 Pa	400 Pa
Sound pressure	48/49/50/52/54/56/58 dB(A)	48/49/50/52/54/56/58 dB(A)	49/51/53/54/56/58/59 dB(A)
Liquid pipe diameter	12,70 mm	12,70 mm	15,90 mm
Gas pipe diameter	25,40 mm	25,40 mm	28,60 mm

CIRCUIT DIAGRAM

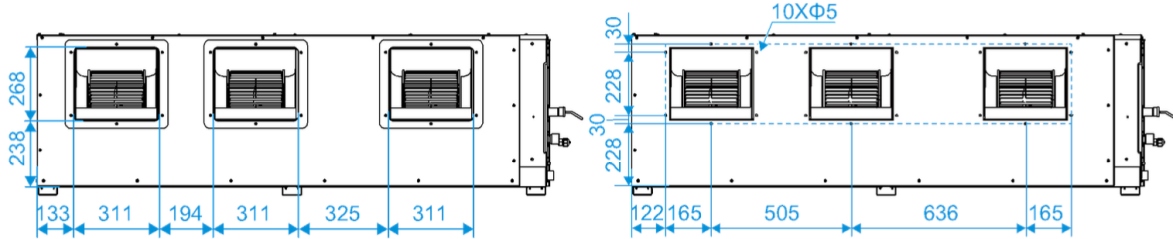

NOTES:

- (1) Data and specifications not applicable for calculation or execution of installations. For consultation and/or verification, official technical documentation is available at www.kaysun.es or VRF Selecta selection software.
- (2) The data and specifications in this sheet are subject to change without notice.
- (3) The images in this sheet are for guidance only and may be different from the actual machine.
- (4) Cooling capacity conditions: Indoor temperature 27°C DB/19°C WB; Outdoor temperature 35°C DB; Equivalent refrigerant piping length 7.5 m with zero level difference; Data calculated with Duct type indoor unit. Heating capacity conditions: Indoor temperature 20°C DB; Outdoor temperature 7°C DB/6°C WB; Equivalent refrigerant piping length 7.5 m with zero level difference; Data calculated with Duct type indoor unit.
- (5) Sound pressure level is measured at a position 1 m in front of the unit and 1.3 m above the floor in a semi-anechoic chamber.

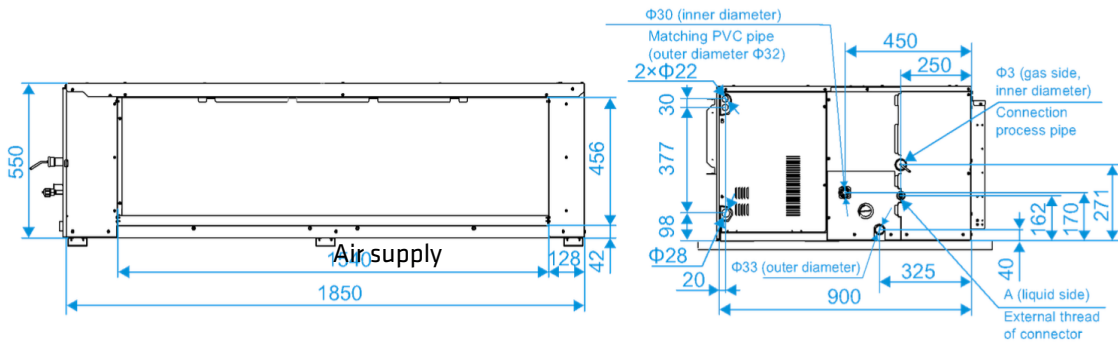
DIMENSIONS & WEIGHT

	KPDUF-400 DN5.0	KPDUF-450 DN5.0	KPDUF-560 DN5.0
Inner unit weight	166 kg	166 kg	170 kg

Air supply



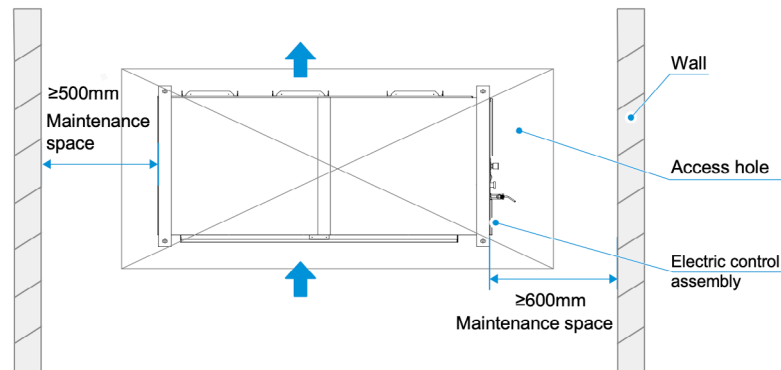
Air return



INSTALLATION

Bottom view

(Unit: mm)



Side view

